



OMNTEC
Advanced Tank Monitoring & Leak Detection

PROTEUS® Automatic Tank-Gauging and Leak-Detection System for Oil/Water Separator Tanks

Part Number: OEL8000IIK4



Description

PROTEUS K provides complete visibility on the status of your Oil/Water Separator. Featuring both internal and external tank monitoring, which is easily understood on its 7-inch color touch-screen. The **PROTEUS** Series can simultaneously monitor product levels, water levels, temperature, and leaks for each O/W Separator. Easy to understand and able to track multiple Oil/Water Separators from one simple console.

OEL8000IIK provides level monitoring and leak detection for up to 4 Oil/Water Separators. It can be equipped with up to 16 OMNTEC Bright Eye (BX-Series) sensors for monitoring containment areas. Sensors come in either liquid or product distinguishing models.

With OMNTEC's proven reliability, the **PROTEUS K** offers an attractive, expandable, comprehensive, and user-friendly system that simplifies separator monitoring.

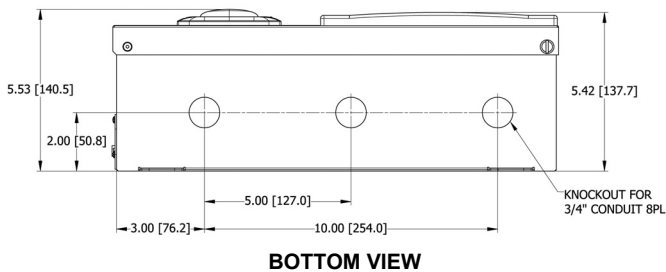
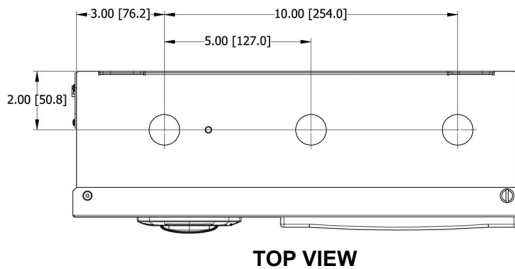
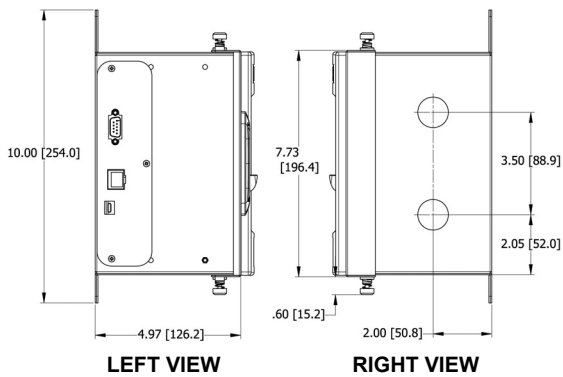
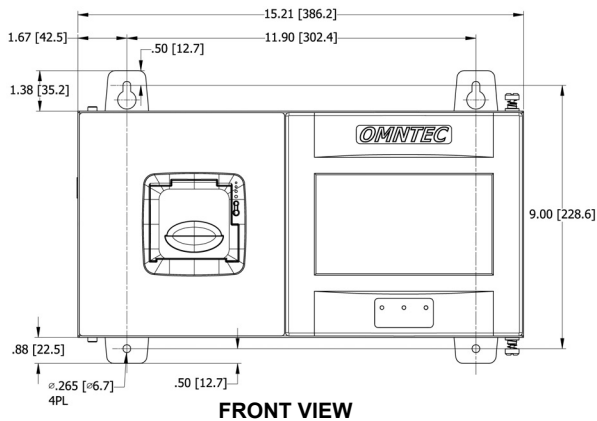
Features

- Accepts up to 4 magnetostrictive probes
- Accepts up to 16 Bright Eye sensors
- 1 RS-232 port
- 1 RS-485 port (optional)
- 7-inch color touch-screen graphic display
- Easy to read leak and level alarms
- SD memory card slot (for extended logging)
- Modbus RTU & TCP upgradeable
- Ethernet / TCP/IP standard
- Built-in web server
- E-mail / Text capability standard
- Remote display option
- Thermal printer option
- 3 built-in programmable relays
- Up to 8 additional dry contact relays
- Compatible with OMNTEC PC remote tank inventory monitoring
- Gain the visibility necessary to properly maintain your OWS
- Reduce routine confined space inspections and maintenance
- Schedule pump outs with precision
- Pump out verification
- Watch oil accumulation and proactively schedule pump out prior to coalesce compromise

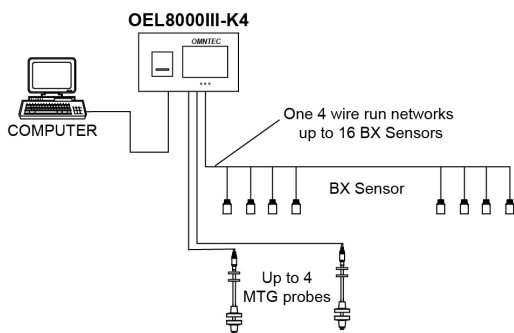
PROTEUS®



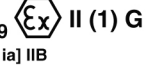
Automatic Tank-Gauging and Leak-Detection System for OWS Tanks

Part No. OEL8000IIIK4



OEL8000III-K Application



Specifications						
Optional Features:	36-character thermal printer OMNTEC PC software Modbus RTU and TCP					
Input Power:	100-240 VAC +/- 10% 50/60 Hz 60 watts					
Voltage to Sensors:	12 VDC					
Voltage to Probes:	28 VDC					
Audio Visual Controls:	Display: Color 7-inch graphic display with touch-screen Audible alarm: 85 dB piezoelectric horn Printer: 36-character thermal System status: 3 LED's (OK, Warning, Alarm)					
Relay Outputs:	120 VAC @ 0.6 amp resistive 3 SPST Failsafe					
Low-voltage Outputs:	12 VDC @ 150 mA					
Operating Temperature:	20 to 140° F (-7° to 60° C)					
Compatible Sensors:	BX-Series sensors (refer to document no. 900106)					
BX-Series Sensor Cable:	Shielded 22 AWG with drain wire (OMNTEC EC-4) Maximum length 2,000 feet (610m)					
Compatible Probes:	Rigid Gauging Probe MTG-4* (1219mm) MTG-6* (1829mm) MTG-8* (2438mm) MTG-10* (3048mm) *Number signifies shaft length and corresponds to tank diameter. Contact representative for additional lengths.					
Accessories:	RD7CTS	Mini-Me remote display				
	RD-PCK	120 VAC power cord kit for use with RD7CTS				
	RD-232C-75	75 feet RS232 cable for use with RD7CTS				
	RD7CTS-485	RS-485 Mini-Me remote display				
	RAS Series	Remote annunciators				
	PS-103	Thermal printer				
	DPU-C	Thermal paper				
	XC-R8	External relay expansion				
	X232-420	External RS-232 to 4-20 ma converter				
	DB-485	RS-485 board				
Weight:	20 lb. (9kg)					
Dimensions:	(h) 7.73" (w) 15.21" (d) 5.53"					
Approvals:	UL-listed & CUL-listed  IECEx UL 13.0057X [Ex ia Ga] IIB   [Ex ia] IIB DEMKO 13 ATEX 1341071X					
Version Summary:	Version	Probes	Sensors	Audio/Visual	Relays	Communication
	K4	4	16	yes	3	(1) RS-232 (1) TCP/IP (1) Expansion Port (1) SD Card slot
	K8	8	0	yes	3	
	K4B	4	16	no	3	
	K8B	8	0	no	3	

Specifications subject to change without notice, verify with manufacturer.



Magnetostrictive Tank-Gauging Probe

Part Number: **MTG-4**
MTG-6
MTG-8
MTG-10



Description

The magnetostrictive tank-gauging (MTG) probe utilizes magnetostrictive technology to provide users with the same level of reliability, durability and cost-effectiveness they expect with all OMNTEC products. The MTG probe used with OMNTEC's tank-gauging controllers monitors product levels, water levels and temperature in both underground and aboveground tank applications.

The MTG probe monitors high-oil level and low-liquid level. To provide the greatest flexibility of use, the probe's shaft is stainless steel. Other major benefits of OMNTEC's MTG probe is that it comes in a number of lengths and in a flexible-shaft option. The number in the probe part number indicates the shaft length and corresponds to tank diameter.

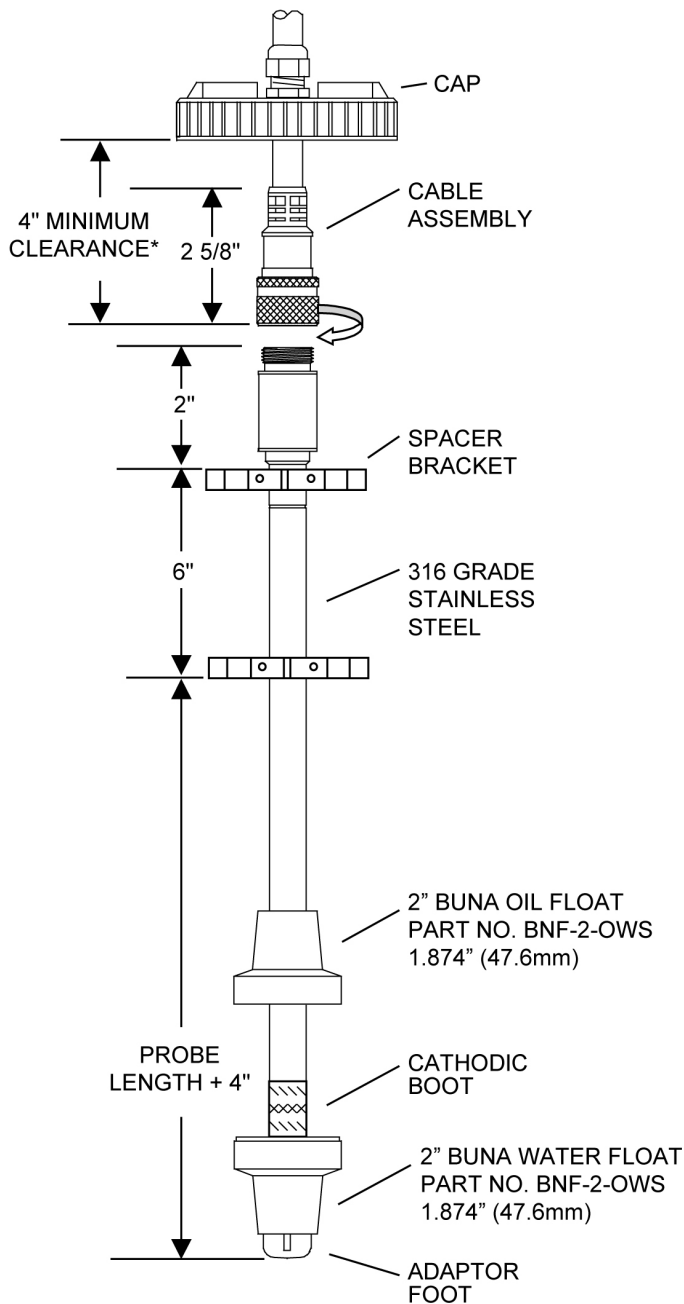
The MTG probe is ruggedly constructed to provide reliable and cost-effective performance.

Features

- Patented reflection technique for reliability
- Durable tube-in-tube construction
- High signal-to-noise ratio
- Fast, accurate update
- Custom lengths
- Intrinsically safe
- Cost-effective
- Flexible shaft (optional)

Magnetostrictive Tank-Gauging Probe

Part No. MTG-*



Specifications	
Enclosure (probe):	NEMA 4, IP68
Input Power:	28 VDC +/-10%
Probe Length:	Up to 24 feet (7.3m) <i>Consult factory for lengths over 24 feet.</i>
Accuracy:	0.010 inches (0.2540mm) inventory mode 0.001 inches (0.0254mm) leak-detection mode
Linearity	+/- 0.01% of full scale or +/- 0.010 inches (0.254mm), whichever is greater
Repeatability:	+/- 0.001% of full scale or +/- 0.00025 inches (.00635mm), whichever is greater
Temperature Measurement:	6 temperature-sensing devices
Temperature Accuracy:	+/- 0.9° F from 14° F to +185° F +/- 0.5° C from -10° C to +85° C
Temperature Measurement Resolution:	+/- 0.01° F (.00556° C)
Temperature Sensing Range:	-40° to 150° F (-40° C to 66° C)
Operating Temperature Range:	-40° to 160° F (-40° C to 71° C)
Probe Output:	Digital over 2 wires
Probe Cable:	EC-2 (Belden #8761) Maximum length 1,000 feet (305m). <i>Consult factory for lengths over 1,000 feet.</i>
Pressure Rating:	Up to 500 psi (35Kg/cm2)(float-dependent)
Floats:	BNF-2-OWS 2" Buna float set for oil/water separator tanks BNF-4-OWS 4" Buna float set for oil/water separator tanks
Compatible Controllers:	PROTEUS Series: OEL8000III-B, OEL8000III-K, OEL8000III-X
MTG includes:	4-inch cap Splice kit Cable assembly
Weight:	19 lb. (8.62 kg) <i>(approximated based on packaged 10ft. probe)</i>
Approvals:	UL-listed, CUL-listed, CE-listed

Content subject to change without notice, verify with manufacturer.

 **OMNTEC**
 2420 Pond Road
 Ronkonkoma, NY 11779
 +1.631.981.2001
 +1.631.981.2007
 omntec@omntec.com
 www.omntec.com