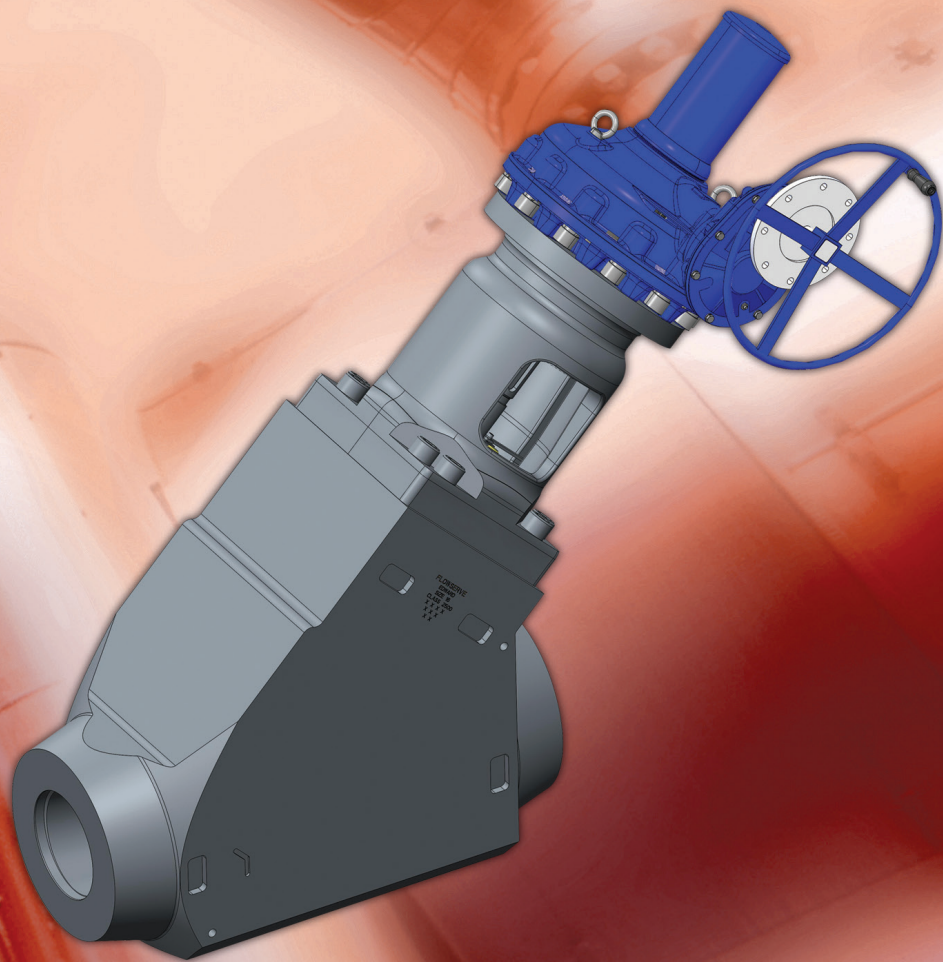




Edward® Forged Flite-Flow® Globe Valves

High-performance Large Bore, Y-pattern Globe Valves
Designed for High-temperature Applications



Experience In Motion

Solutions That Keep Industry Flowing

Flowserve is one of the world's leading providers of fluid motion and control products and services. Globally, we produce engineered and industrial pumps, valves, seals, systems and automation equipment, and provide a range of related flow management services. Our solutions move even the most volatile and corrosive fluids safely and securely through some of the most extreme temperatures, terrain and challenging operating environments on the planet. Flowserve products and services are specified for use in a vast range of industries, including oil and gas, chemical, power generation and various general industries.



Greater reliability and longer service life in high-temperature applications

Edward forged Flite-Flow globe valves offer excellent shut-off capability and increased product longevity in critical, high-temperature applications in the power generation, petrochemical and refining markets.

Featuring a body-guided disc that ensures precise alignment with the body, the design allows for enhanced sealing capability and minimized process disruptions resulting from disc to body misalignment. The body-guided disc also protects the stem and prolongs its service life by minimizing galling and stem binding.

The Y-pattern body configuration allows for smooth process operation and continuous process yield through optimized flow passages and smooth transitions that reduce pressure drops and destructive turbulence. The construction of the valve body and pressure-retaining components in forged materials increases the robustness of the design and improves process reliability by withstanding the rigors of intermittent use.

Whether your needs call for critical high-pressure and high-temperature applications in electric power generation, gas-fired combined cycle or traditional coal-fired power plants, the Y-pattern Flite-Flow globe valve facilitates dramatic improvements in reliability, process uptime and yield.

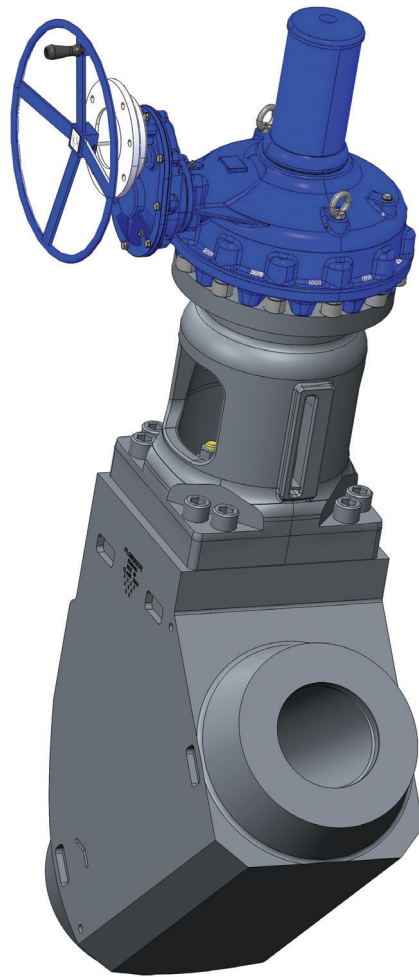


Figure 1: Size 16, pressure class 2500, Edward forged Flite-Flow globe valve with bevel gear actuator

Key Benefits

Increased durability

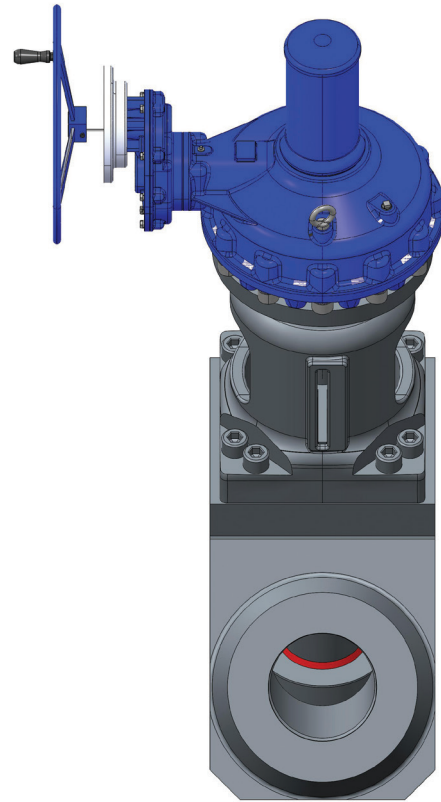
Valve body machined from single-piece forgings and forged pressure-retaining components adds to the robustness of the design and minimizes maintenance costs.

Reduced total cost of ownership

Flowsolve proprietary nickel-alloy buttering hard facing increases service life of the valve.

Improved uptime and prolonged product life

Body-guided disc eliminates disc to body misalignment and minimizes galling and stem binding.



Engineered to Excel

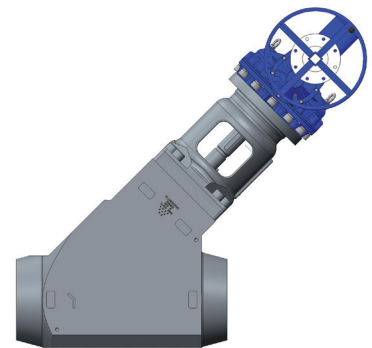
1. Increased operational efficiencies resulting from minimized leakage due to the enhanced sealing capability of the body-guided disc design
2. Improved process throughput via engineered Y-pattern design that optimizes flow passages to minimize flow direction changes and reduce pressure drop
3. Positive shut-off and longer seat life resulting from integral hard-faced surfaces
4. Effective sealing at the pressure seal gasket via valve internal pressure loading
5. Integral hard-faced backseat
6. Enhanced sealing capability and longer service life through stem packing system that features flexible graphite packing material with anti-extrusion end rings

Product Range

Size (NPS)	Pressure Class	Flow Coefficient (C _v)
10	2500	1640
12		2320
14		2830
16		3710

Available Design Configurations

- Globe stop valve
- Globe stop-check valve
- Piston check valve



Edward Large Bore Forged Y-Pattern, Flite-Flow Globe Valve Specifications

Design Standards	ASME B16.34
Design Configurations	Globe stop valve, globe stop-check valve or piston check valve
Ends	Butt-weld ends
Stem Seal	Graphite packing
Flow Direction	Stop valves: bidirectional Stop-check and check valves: unidirectional
Leakage Rates	MSS-SP-61
Temperature Range	-29°C to 649°C (-20°F to 1200°F)
Actuation	Manual, electric, pneumatic, hydraulic, etc.



United States

Flowserve Corporation
Flow Control
1900 South Saunders Street
Raleigh, NC 27603
Telephone: +1 919 832 0525
Telefax: +1 919 831 3369

FCD EVENBR1007-00 (E) February 2017. © 2017 Flowserve Corporation

Consult your local stocking distributor or for more information about Flowserve Corporation, visit www.flowserve.com.