

94130 Pressure Relief Vent (Open or Closed Vent Option)

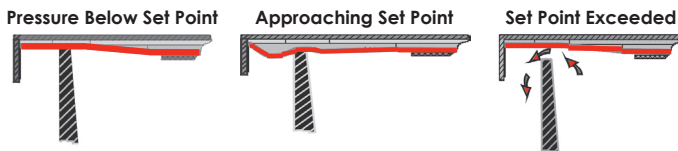
The Shand & Jurs 94130 Pressure Relief Vent is designed to provide pressure relief with high efficiency, maximum flow capacity and minimum leakage. The easily serviceable configuration and light weight construction reduces maintenance and installation costs. A variety of construction materials are available as part of the standard design which are ideally suited for highly corrosive and toxic product applications.

For dependable performance, Shand & Jurs Pressure Relief Vents utilize pressure pallets that are both peripherally and center stem guided. The standard FEP diaphragm is "Air Cushion Seated" for high resistance to adhesion of ice and gum formation. A range of sizes and configurations, such as closed vent hood and flame snuffers are available. Standard pressure setting is 0.5 oz/in².

Expanda-Seal

Shand & Jurs "Expanda-Seal" option is available on all pressure pallet assemblies. This feature significantly reduces leakage. The ballooning effect of the FEP diaphragm effectively seals the valve.

The "Expanda-Seal" feature ensures less than 0.5 SCFH of air at 95% of the set point.



Open Vent Configuration



Closed Vent Configuration

Features

- Reduced need for special materials in corrosive and extreme temperature
- Peripheral and stem guided pressure pallet assures smooth lift and closure
- Positive seal and minimal blow down
- Capacity certified to API standards
- Reduced maintenance and installation costs
- "All Weather" Teflon coating available
- Insulation Jackets available
- Steam Jackets available

Specifications

Sizes:

2", 3", 4", 6", 8", 10" & 12"

*Maximum Setting:

24 oz/in²

Standard Setting:

0.5 oz/in² (0.86 in. W.C.)

Expanda-Seal Pressure Setting:

1.5 oz/in² Minimum
(Consult Factory for lower settings)

* Varied by valve size and weight material. Please consult factory for particular valve size and weight material.

Temperature Range:

Process Temperature ranges for body material:

- 65°F to 250°F (Aluminum)
- 65°F to 350°F (316 Stainless Steel)
- 20°F to 350°F (Carbon Steel)
- 20°F to 325°F (Iron)

Type of Flange Connection:

Raised face (except Aluminum) or flat face flange available; compatible with ANSI 125/150 lb., EN1092-1 and JIS 10K flanges available.

Materials of Construction

Body:

Cast Aluminum, Cast Steel, Cast Iron, Ductile Iron or 316 Stainless Steel

Closed Vent Cover:

Aluminum, Steel or Stainless Steel

Pallet:

Aluminum or 316 Stainless Steel

Seat:

Aluminum or 316 Stainless Steel (Field Replaceable)

Stem Guide:

Galvanized Steel, Galvanized Iron or Stainless Steel

Screen:

Galvanized Steel or Stainless Steel

Diaphragm:

FEP (Fluorinated Ethylene Propylene), FKM (Fluoroelastomer), NBR (Nitrile-Butadiene), PFA (Fluoroplastic Film)

Back-up Disc:

Fiber, Glass Filled Teflon (GPTFE)

Closed Vent Cover Gasket:

Fiber, Glass Filled Teflon (GPTFE), FKM, NBR

* Table D Option 5 for same size inlet and outlet connections has been Obsolete and Replaced by Table D Option 6. Option 5 and 6 dimensions do not match. Consult factory if replacement valve is required.

Standard Materials of Construction

Service	Body	Open Vent Hood		Seat		Pallets	Stem Guide Tube	Screen	Side Guides
		2, 3, 4, 6 & 8	10 & 12	2, 3, 4	6, 8, 10 & 12				
Norm. Alum.	Cast Alum.	18-8 SS	Alum.	Alum.	Alum.	Alum.	Galv. Steel	Galv. Steel	316 SS
Cyro Low Temp.	Cast Alum.	Alum.	Alum.	Alum.	Alum.	Alum.	316SS	304 SS	316 SS
Severe Iron	CI/DI	18-8 SS	Alum.	316 SS	316 SS	316 SS	Galv. Steel	304 SS	316 SS
Severe Steel	Cast Steel	18-8 SS	Alum.	316 SS	316 SS	316 SS	Galv. Steel	304 SS	316 SS
Severe 316SS	Cast 316 SS	316 SS	316 SS	316 SS	316 SS	316 SS	316 SS	316 SS	316 SS

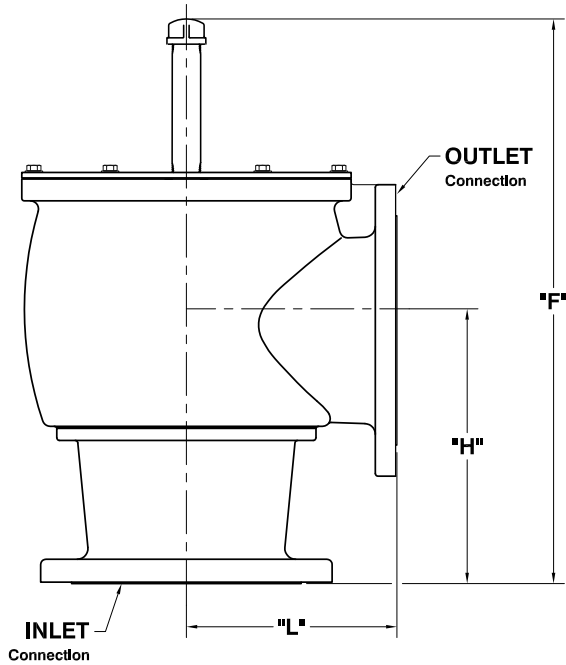
Service	Pallet Stem Pressure Side	Diaphragm	Closed Vent Cover		Cover Gaskets	Hardware
			2, 3, 4	6, 8, 10 & 12		
Norm. Alum.	316 SS	FEP	Aluminum	Aluminum	NBR	Stainless Steel
Cyro Low Temp.	316 SS	FEP	Aluminum	Aluminum	NBR	316 SS
Severe Iron	316 SS	FEP	Steel	Steel	NBR	316 SS
Severe Steel	316 SS	FEP	Steel	Steel	NBR	Stainless Steel
Severe 316 SS	316 SS	FEP	316 SS	316 SS	NBR	316 SS

CI = Cast Iron DI = Ductile Iron

94130 Pressure Relief Vent



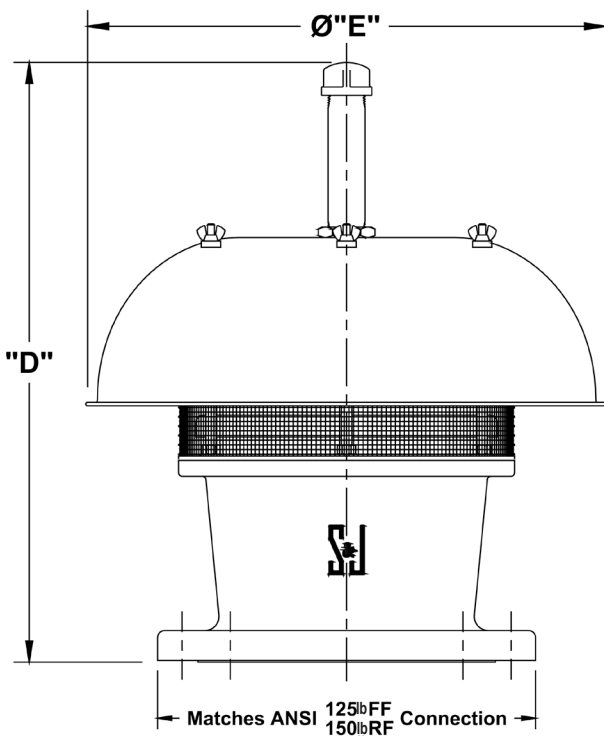
94130 Closed Vent



Vent Size	"F"	"H"	"L"
2" x 2"	11 1/4	5 1/32	4 1/4
2" x 3"	11 1/8	5 1/32	4 1/4
3" x 3"	13 1/4	5 9/16	5 1/4
3" x 4"	13 3/4	5 31/32	5 1/4
4" x 4"	20 3/8	7	6 1/2
4" x 6"	15 3/4	7 1/32	5 15/16
6" x 6"	21 1/4	9 3/8	8 3/8
6" x 8"	21 1/4	10 11/32	8 1/4
8" x 8"	25 1/2	11 11/16	9 3/4
8" x 10"	26 3/16	12 23/32	9 3/4
10" x 10"	30	13 7/8	11 19/32
10" x 12"	30 1/4	14 29/32	11 19/32
12" x 12"	33 7/8	16 1/4	12 13/16
12" x 14"	33 7/8	16 7/8	12 13/16

All designs subject to change. Certified dimensions and specifications available upon request.

94130 Open Vent



Vent Size	"D"	Diameter "E"
2"	11 1/8	12 7/8
3"	13 3/4	13 9/16
4"	15 3/4	15 15/16
6"	18 3/4	18 5/8
8"	21 1/4	18 5/8
10"	28 1/8	25 9/16
12"	32 1/4	29 7/8

All designs subject to change. Certified dimensions and specifications available upon request.



94130 Ordering Guide

Model Number Selection

The model number will consist of a base number **94130** followed by 8 digit numbers. These digits will represent 6 option tables.

94130 - AB - CD - EF - GH

Ordering Information

Specify:

1. Model 94130 Pressure Relief Vent
2. Size and Body Material
3. Type of Venting
 - A) Open Vent
 - B) Closed Vent
4. Pressure Setting Required
5. Cleaning for Oxygen Service or Other Special Cleaning
6. Optional Materials of Construction, If Required
7. To Specify CE for Ordinary EU Locations use 94130C AB CD EF GH
8. To Specify ATEX Certification for Group IIB, IIA EU Locations use 94130A AB CD EF GH.
ATEX Certification Includes CE Mark.



Table AB - Size and Material

Option AB	Size	Body Material
12	2"	Aluminum
22	2"	Aluminum w/ Cryo Hood
32, 72	2"	Cast Iron, Ductile Iron
62	2"	316 Stainless Steel
52	2"	Steel
14	3"	Aluminum
24	3"	Aluminum w/ Cryo Hood
34, 74	3"	Cast Iron, Ductile Iron
64	3"	316 Stainless Steel
54	3"	Steel
15	4"	Aluminum
25	4"	Aluminum w/ Cryo Hood
35, 75	4"	Cast Iron, Ductile Iron
65	4"	316 Stainless Steel
55	4"	Steel
16	6"	Aluminum
26	6"	Aluminum w/ Cryo Hood
36, 76	6"	Cast Iron, Ductile Iron

Option AB	Size	Body Material
66	6"	316 Stainless Steel
56	6"	Steel
17	8"	Aluminum
27	8"	Aluminum w/ Cryo Hood
37, 77	8"	Cast Iron, Ductile Iron
67	8"	316 Stainless Steel
57	8"	Steel
18	10"	Aluminum
28	10"	Aluminum w/ Cryo Hood
38, 78	10"	Cast Iron, Ductile Iron
68	10"	316 Stainless Steel
58	10"	Steel
19	12"	Aluminum
29	12"	Aluminum w/ Cryo Hood
39, 79	12"	Cast Iron, Ductile Iron
69	12"	316 Stainless Steel
59	12"	Steel

Table C - Flange Type

Option C	Flange Type
0	ANSI 125/150lb. FF
1	ANSI 125/150lb. RF*
2	EN1092-1 PN16 FF
3	EN1092-1 PN16 RF*
4	JIS 10K FF
5	JIS 10K RF*

* RF not available in ALUM

Note: Raised faced flanges with smooth finish are standard.
For optional serrated raised faced flanges, consult factory.

Table D - Vent Type

Open Vent Option	Closed Vent Option
1	3, 6

3 = Standard; Outlet > Inlet (Outlet is one size larger than Inlet, ex. 2" X 3")
6 = Same Size Inlet, Outlet & Seat

NOTE: Option 5 replaced by Option 6. Dimensions are not identical.

Table E - Pallet / Seal Type

Option E	Pallet Type	Diaphragm
0	Standard	FEP
1	Expanda-Seal	FEP
4	Standard	FKM
5	Expanda-Seal	FKM
6	Standard	PFA
7	Expanda-Seal	PFA
8	Standard	NBR
9	Expanda-Seal	NBR

Temperature Limits

Diaphragm Material	Temperature Range
FEP	-65°F to 400°F
FKM	-15°F to 400°F
NBR	-40°F to 250°F
PFA	-65°F to 500°F

Table F - Pressure Range & Load Weight Material

Option F	Description	Material
0	**Standard Pressure Setting = 0.5 oz/in ²	Lead
1	>Standard to 2.9 oz/in ²	Lead
2	Over 2.9 oz/in ²	Lead
4	**Standard Setting	316 Stainless Steel
5	Over 2.9 oz/in ²	316 Stainless Steel
6	> Standard to 2.9 oz/in ²	316 Stainless Steel

**Expanda-Seal min. pressure setting: 1.5 oz/in²

Table G - Seat & Pallet Material

Option G	Seat	Pallet
0	Standard*	Standard*
2	Aluminum	Standard*
+4	316 Stainless Steel	Standard*
5	Teflon Coated 316 SS	Standard*
A	Standard*	316 Stainless Steel
+C	Aluminum	316 Stainless Steel
E	316 Stainless Steel	316 Stainless Steel
+F	Teflon Coated 316 SS	316 Stainless Steel

*Refer to Materials of Construction
+ These Options not Available with ATEX Models

Table H - Trim

Option H	Description
0	Normal
1	Stainless Steel Trim

Trim includes Stem, Stem Guide, Side Guides, Nuts, Bolts, and Screen.
For an ATEX Certified Valve choose Option H1.