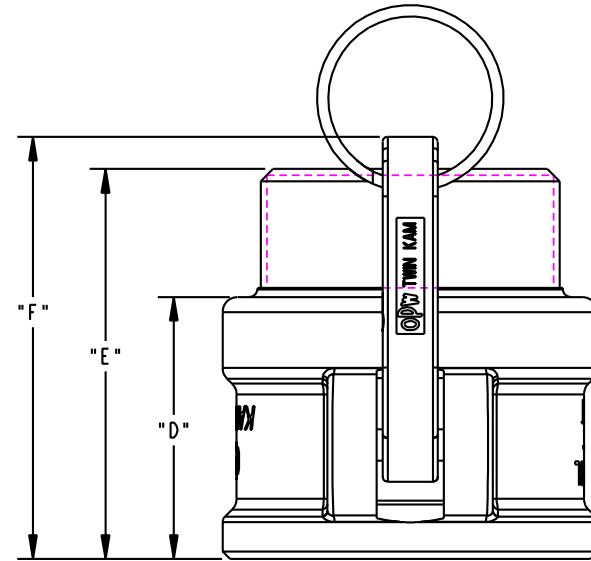
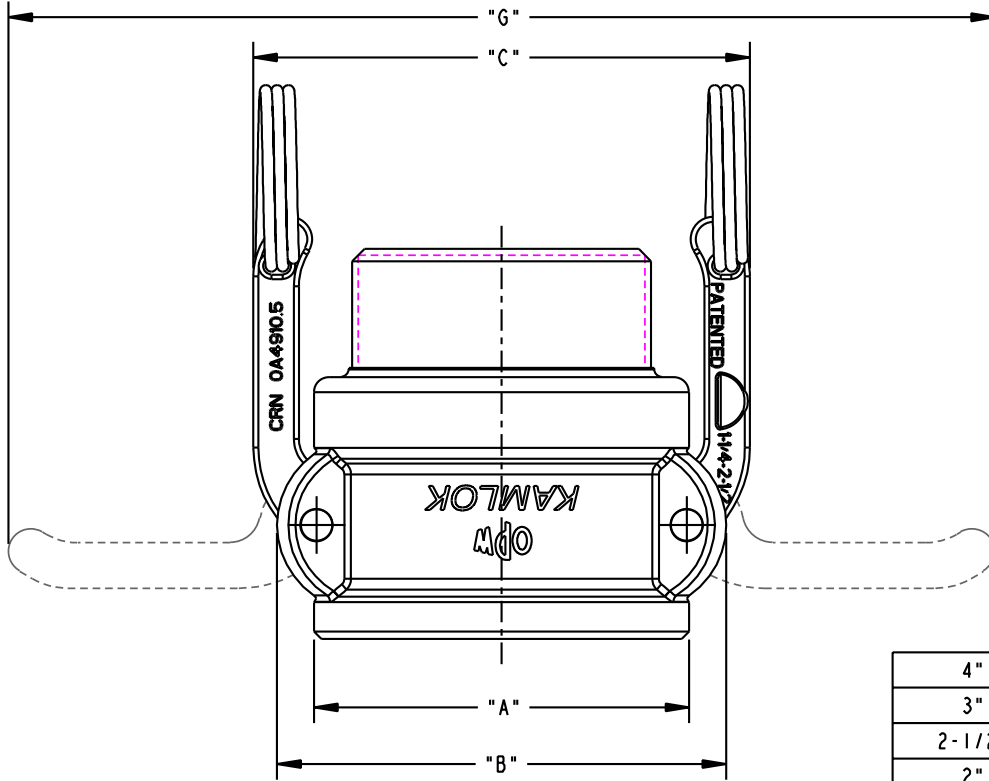


THIS DRAWING IS NOT TO BE SCALED. FOR ADDITIONAL INFORMATION, PLEASE CONTACT OUR ENGINEERING DEPT.

REVISIONS					
LTR	ECN #	DESCRIPTION	DRAWN	APPROVED	DATE
REL	-	-	JPR	-	04-30-02



4" 633B	4.00 - 8 NPT	5.50	6.00	6.53	2.34	3.86	3.88	11.08
3" 633B	3.00 - 8 NPT	4.22	4.88	5.42	2.28	3.62	3.94	9.97
2-1/2" 633B	2.50 - 8 NPT	3.52	4.12	4.40	2.25	3.50	3.44	8.28
2" 633B	2.00 - 11.5 NPT	2.97	3.56	3.94	2.08	3.09	3.34	7.81
1-1/2" 633B	1.50 - 11.5 NPT	2.59	3.22	3.56	1.88	2.75	3.31	7.44
1-1/4" 633B	1.25 - 11.5 NPT	2.28	2.94	3.25	1.88	2.88	3.25	7.14
1" 633B	1.00 - 11.5 NPT	1.86	2.31	2.91	1.59	2.47	2.27	5.03
3/4" 633B	0.75-14 NPT	1.62	2.06	2.41	1.25	2.09	1.97	4.56
1/2" 633B	0.50-14 NPT	1.62	2.06	2.41	1.25	2.09	1.97	4.56
COUPLER SIZE	THREAD SIZE	"A"	"B"	"C"	"D"	"E"	"F"	"G"

CONFIDENTIAL THIS DOCUMENT CONTAINS INFORMATION WHICH IS PROPRIETARY TO OPW, AND SHOULD BE PROTECTED ACCORDINGLY.

DESCRIPTION: KAMLOK COUPLER DIMENSIONS

UNLESS OTHERWISE SPECIFIED
 TOLERANCES ON DIMENSIONS
 3 DECIMALS +/- 0.005
 2 DECIMALS +/- 0.015
 1 DECIMAL +/- 0.030
 ANGLES +/- 1/2 DEG
 MACHINED SURFACES 125 RMS MAX

SIGNATURES	MO-DA-YR
DRAWN: JPR	04-30-02
CHECKED: -	-
MATERIAL: -	WEIGHT: -

REV: REL	PART NUMBER:
SIZE: C	633B
SCALE: NONE	SHEET 1 OF 1

OPW **Engineered Systems**
 A DOVER Resources Company
 Lebanon, Ohio 45036 USA
 3D GENERATED DRAWING