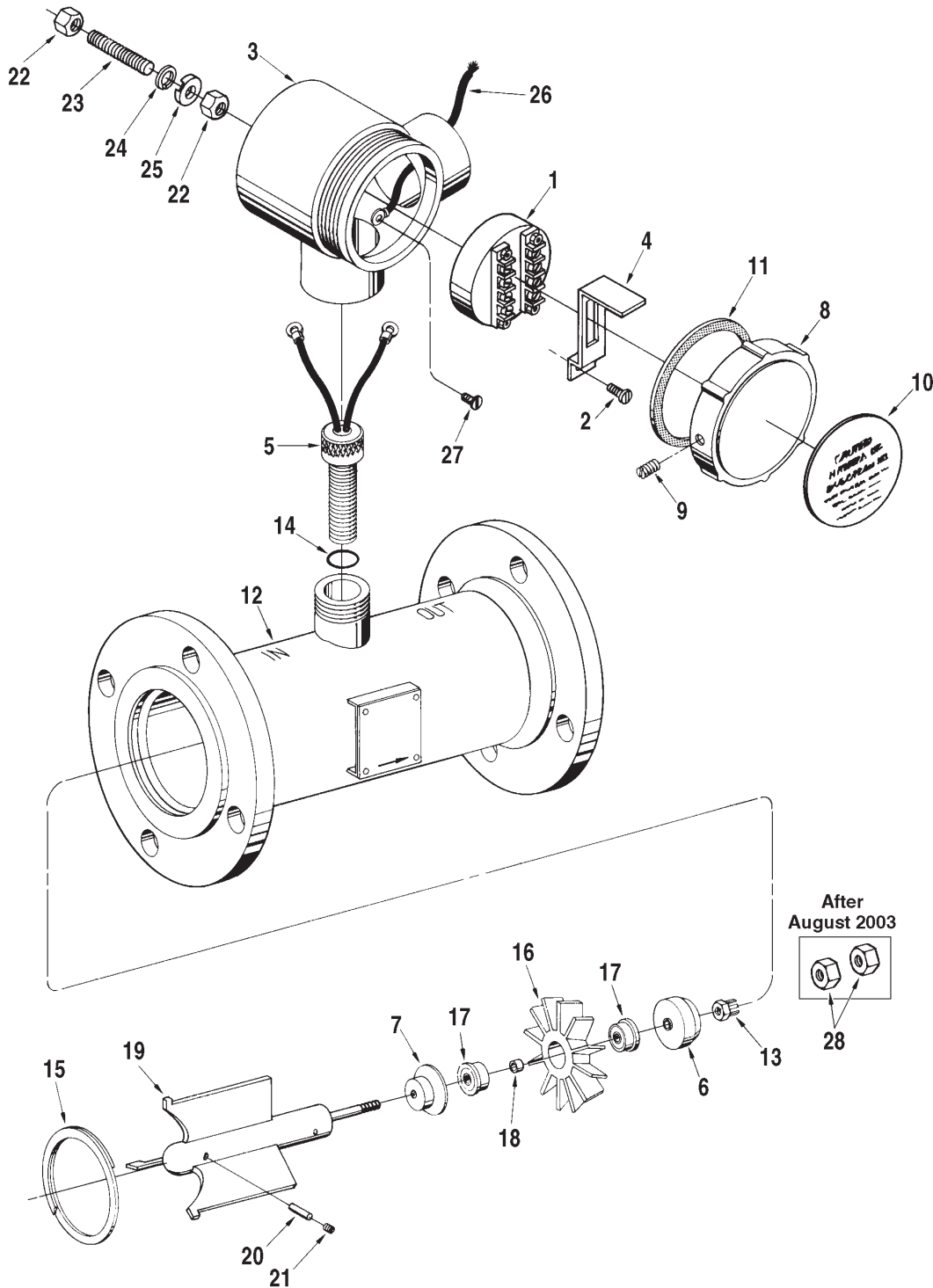


Meter, Turbine, 3 Inch, Guardsman™ G Series, Model LB

Bulletin PO02007 Issue/Rev. 0.0 (09/13)



| Item | Description | Qty. | Part Number |
|------|--|------|-------------|
| 1 | + Preamplifier: | | |
| | PA-2, 12 Vdc, Dual Channel | # | 212012-101 |
| | PA-4, 12 Vdc or 24 Vdc, Single Channel | # | 230662-101 |
| | PA-6, 12 to 24 Vdc | # | 230663-101 |
| 2 | Screw, #10-32 x 1/4" | # | 009544-401 |
| 3 | Box, Conduit | # | 543256-200 |
| 4 | Clip, Retaining | # | 543192-203 |
| 5 | + Coil, Pickup: | | |
| | -100°F to 225°F | # | 644327-401 |
| | -100°F to 400°F | # | 641512-401 |
| | Mating Connector with Leads | # | 540244-101 |
| 6 | Cone, Downstream | 1 | 543826-201 |
| 7 | Cone, Upstream | 1 | 543825-201 |
| 8 | Cover, Conduit Box: | | |
| | UL/CSA Approvals | # | 543196-100 |
| | BASEEFA - Manufactured in the U.S.A. | # | 544057-101 |
| | BASEEFA - Manufactured in Germany | # | 544057-102 |
| 9 | Screw, Set, #6-32 x 1/4" | # | 643243-403 |
| 10 | Label: | | |
| | UL/CSA Approvals | 1 | 543195-200 |
| | BASEEFA - Manufactured in the U.S.A. | 1 | 544056-201 |
| | BASEEFA - Manufactured in Germany | 1 | 544056-202 |
| 11 | Gasket, Cover | # | 013403-200 |
| 12 | @1 Housing | 1 | See Note 1 |
| 13 | @6 Nut, #10-32 UNF-2B, Flex-Loc | 1 | See Note 6 |
| 14 | O-Ring, Buna-N | # | 641069-474 |
| 15 | + Ring, Retaining | 1 | 644420-401 |
| 16 | +@2 Rotor Assembly: | | |
| | Current Design, 430 Stainless Steel | 1 | 544662-191 |
| | Previous Design, 430 Stainless Steel | 1 | 544662-193 |
| 17 | + Bearing, Ball | 2 | 644532-405 |
| 18 | + Spacer, Inner Race | 1 | 543829-201 |
| 19 | @3 Stator Assembly | 1 | 543856-104 |
| 20 | Pin, Dowel, 1/8 x 3/8" | 1 | 644541-401 |
| 21 | @4 Screw, #10-32 x 3/8" Set | 1 | 645416-401 |
| 22 | Nut, Hex, 1/4"-20, UNC-2B (BASEEFA Version Only) | 2 | 060060-002 |
| 23 | Stud (BASEEFA Version Only) | 1 | 550773-001 |
| 24 | Washer, 1/4" Lock (BASEEFA Version Only) | 1 | 006621-001 |
| 25 | Washer, Inverted (BASEEFA Version Only) | 1 | 550770-001 |
| 26 | Wire, Ground, UL/CSA Version Only | 1 | 544058-101 |
| 27 | Screw, #10-32 x 1/4", UL/CSA Version Only | 1 | 006110-002 |
| 28 | @7+ Nut, Hex #10-32, UNF -2B | 2 | 640704-001 |

Internal Parts Kit

@5 Unidirectional - 430 Stainless Steel Rotor..... 543834-101

+ Recommended stock.

Order quantity required.

R Indicates revision since last issued.

@1 Note 1: Consult factory, providing model and serial numbers and advise:

- | | |
|-------------------------|---------------------------------|
| 1. Uni or Bidirectional | 4. Flange Class (Pressure) |
| 2. Housing Material | 5. Number of Pickup Coil Bosses |
| 3. Flange Material | 6. Type of Flange |

- @2 Note 2: Due to a change in the design of this meter in August of 1987, it is necessary to determine whether your meter is of current or previous design. Standard serial numbers up to and including 5015, and special serial numbers up to and including 200779 are considered previous design. Numbers higher than those are current design. These numbers can be found on the nameplate of the meter and on the stator.
- @3 Note 3: If problems are encountered during installation of stator, please contact Parts Operation, Attn: Parts Marketing Specialist.
- @4 Note 4: Apply a small amount of Loctite (Part No. 643917-401) to set screw before installing.
- @5 Note 5: If meter is used with a Strate Plate, when ordering Internal Parts Kit, use the prefix of "FC" to the part number for the Internal Parts Kit required.
- @6 Note 6: Replaced byItem #28, Part No. 640704-001.
- @7 Note 7: Replacing Item #13, Part No. 644607-403.

P0580.04X has been made obsolete and replaced by publication number PO02007 (September 2013).

The specifications contained herein are subject to change without notice and any user of said specifications should verify from the manufacturer that the specifications are currently in effect. Otherwise, the manufacturer assumes no responsibility for the use of specifications which may have been changed and are no longer in effect.

TechnipFMC.com

© TechnipFMC plc. 2020 All rights reserved. PO02007 Issue/Rev. 0.0 (09/13)

TechnipFMC
13460 Lockwood Road
Building S01
Houston, Texas 77044 USA
P:+1 281.591.4000

USA Operation
1602 Wagner Avenue
Erie, Pennsylvania 16510 USA
P:+1 814.898.5000

Germany Operation
Smith Meter GmbH
Regentstrasse 1
25474 Ellerbek, Germany
P:+49 4101 304.0