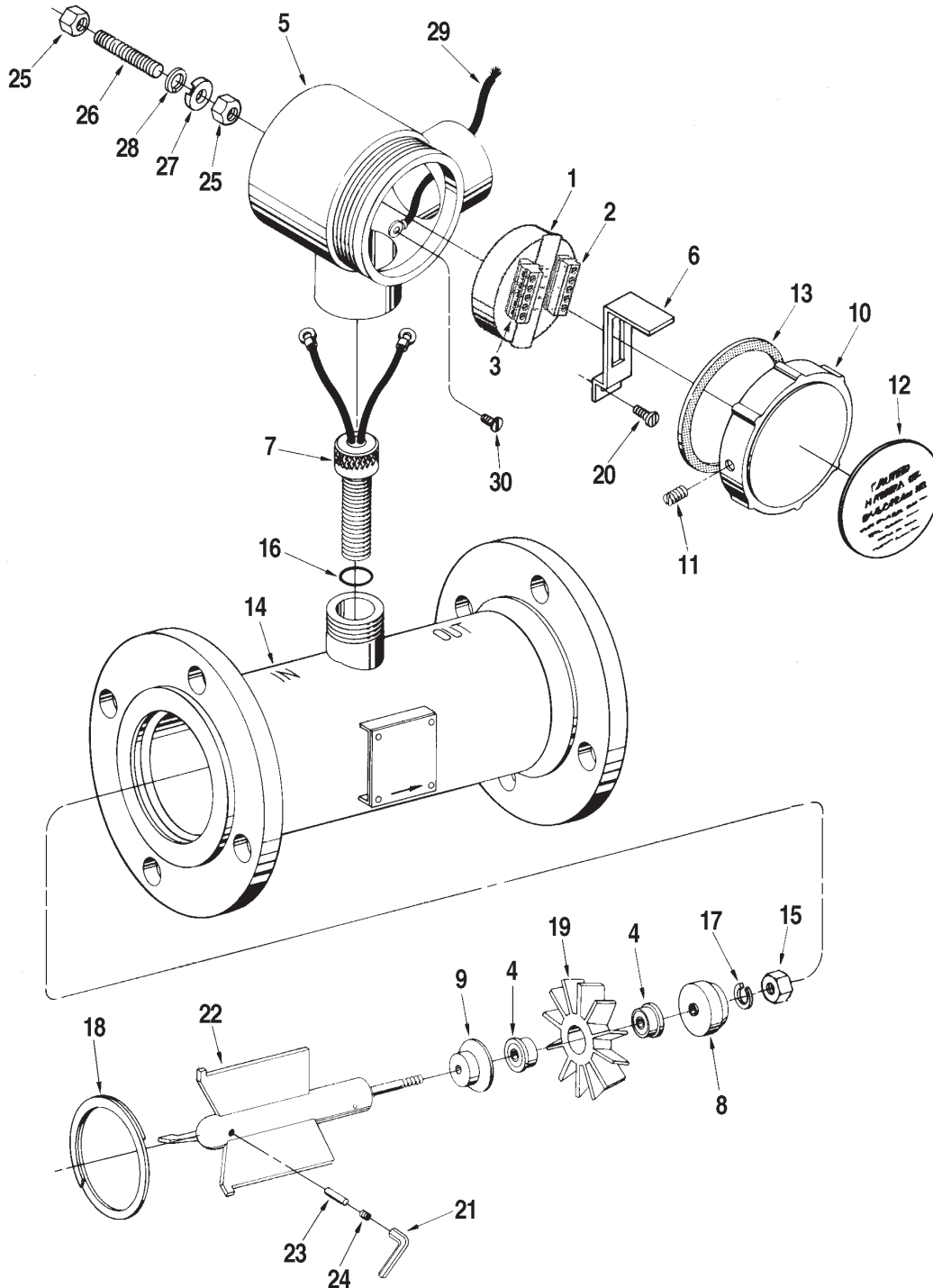


# Meter, Turbine, 1-1/2 Inch Guardzman™ GL Series Model K2CA

Bulletin PO02006 Issue/Rev. 0.1 (4/19)



Item		Description	Qty.	Part Number
1	+	Preamplifier:		
		PA-6, 12 to 24 Vdc.....	#	230663-101
2		Connector, (1-5).....	#	645030-452
3		Connector, (6-10).....	#	645030-453
4	+	Bearing, Ball .....	2	644532-406
5		Box, Conduit .....	#	543256-200
6		Clip, Retaining .....	#	543192-203
7	+	Coil, Pickup:		
		-100°F to +225°F .....	#	646655-401
		-100°F to +400°F (High Temperature Version) .....	#	Consult Factory
		Mating Connector with Leads (High Temperature Version) .....	#	Consult Factory
8		Cone, Downstream .....	1	544686-201
9	R	Cone, Upstream.....	1	544685-203
10		Cover, Conduit Box:		
		UL/CSA .....	#	543196-100
		ATEX – Manufactured in U.S.A. ....	#	544057-101
		ATEX – Manufactured in Germany .....	#	544057-102
11		Screw, Set, #6-32 x 1/4" .....	#	643243-403
12		Label:		
		UL/CSA.....	#	543195-200
		ATEX – Manufactured in U.S.A. ....	#	544056-201
		ATEX – Manufactured in Germany .....	#	544056-202
13		Gasket, Cover .....	#	013403-200
14		Housing.....	1	See Note 1
15	+	Nut, #2-56, Hex.....	1	643747-405
16		O-Ring (Carbon Steel Housing Only) .....	#	641069-474
17	+	Washer, Lock #2 .....	1	643164-413
18	+	Ring, Retaining .....	1	644420-404
19	+@2	Rotor Assembly:		
		Standard .....	1	544699-191
20		Screw, #10-32 x 1/4" .....	#	009544-401
21	+	Key, Hex, Modified.....	1	544216-201
22	@3	Stator Assembly.....	1	544690-101
23		Pin, Dowel, 1/8" x 3/16" .....	1	644541-402
24	@4	Screw, #8-32 x 3/16" Set .....	1	645416-402
25		Nut, 1/4"-20 (ATEX version only).....	#	060060-001
26		Stud (ATEX version only).....	#	550773-001
27		Washer, Inverted (ATEX version only).....	#	550770-001
28		Washer, 1/4" Lock (ATEX version only).....	#	006621-001
29		Wire, Ground (UL/CSA version only).....	#	544058-101
30		Screw, #10-32 x 1/4" (UL/CSA version only) .....	#	006110-002

**Internal Parts Kit**

Unidirectional (Standard Linearity) .....	544699-101
Unidirectional (Premium Linearity) .....	544699-201

- + Recommended stock.
- # Order quantity required.
- R Indicates revision since last issued.

Item	Description	Qty.	Part Number
@1	Note 1: Consult Factory, (814) 898-5000, provide model no. and serial no. and advise: 1. Uni or Bidirectional    4. Flange Class (Pressure) 2. Housing Material        5. Number of Pickup Coil Bosses 3. Flange Material         6. Type of Flange		
@2	Note 2: Due to change in the design of this meter in August of 1987, it is necessary to determine whether your meter is of current or previous design. Standard serial numbers up to and including 5015, and special serial numbers up to and including 200779 are considered previous design. Numbers higher than those are current design. These numbers can be found on the nameplate of the meter and on the stator.		
@3	Note 3: If problems are encountered during installation of stator, please contact the Factory, (814) 898-5000.		
@4	Note 4: Apply a small amount of Loctite (Part No. 643917-401) to set screw before installing.		

The specifications contained herein are subject to change without notice and any user of said specifications should verify from the manufacturer that the specifications are currently in effect. Otherwise, the manufacturer assumes no responsibility for the use of specifications which may have been changed and are no longer in effect.

**TechnipFMC.com**

© TechnipFMC 2019 All rights reserved. PO02006 Issue/Rev. 0.1 (4/19)

TechnipFMC  
FMC Technologies  
Measurement Solutions, Inc.  
13460 Lockwood Road  
Building S01  
Houston, Texas 77044 USA  
P:+1 281.591.4000

USA Operation  
1602 Wagner Avenue  
Erie, Pennsylvania 16510 USA  
P:+1 814.898.5000

Germany Operation  
Smith Meter GmbH  
Regentstrasse 1  
25474 Ellerbek, Germany  
P:+49 4101 304.0