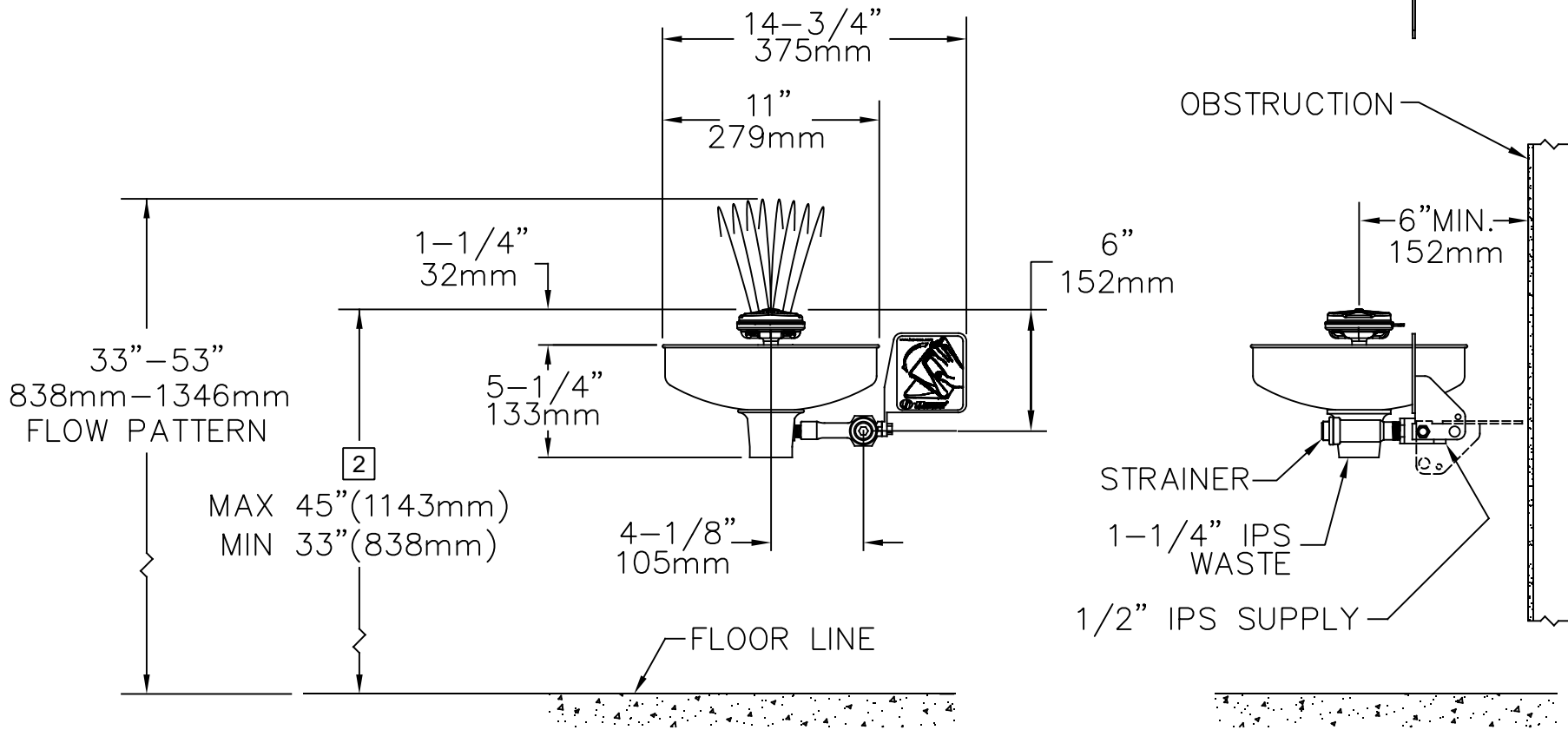



NOTES:

1. TO COMPLY WITH ANSI Z358.1-2014 FOR EMERGENCY EYEWASH AND EYE/FACE WASH: EYEWASH OR EYE/FACE WASH SHALL BE POSITIONED SUCH THAT FLUSHING FLUID IS NOT LESS THAN 33" (838 mm) AND NOT GREATER THAN 53" (1346 mm) FROM SURFACE ON WHICH USER STANDS, AND 6.0" (153 mm) MINIMUM FROM WALL OR NEAREST OBSTRUCTION.
2. HEIGHT IS DETERMINED BY WATER FLOW PATTERN HEIGHT SHOWN, WHICH IN TURN, IS DEPENDENT ON IN-LINE SUPPLY PRESSURE.
3. DIMENSIONAL TOLERANCES: $\pm 1/2"$ (12.7 mm).
4. WHEN INSTALLING THIS UNIT, LOCAL, STATE, OR FEDERAL CODES SHOULD BE ADHERED TO FOR INSTALLATION DIMENSIONS (LOCATIONS), WASTE AND SUPPLY REQUIREMENTS OTHER THAN SHOWN.



		Haws®		1455 KLEPPE LANE SPARKS, NEVADA 89431 (775) 359-4712 FAX (775) 359-7424 E-MAIL: HAWS@HAWSCO.COM WEBSITE: WWW.HAWSCO.COM	
				ECN NO. REVISED PER BY: MODEL(S) ECN: 5175 VWC	
DRAWN: C.H.	DATE: 02/91	CHKD.: VWC	7460 EYE/FACE WASH		PART NUMBER 0002080052.D
APPROVED: FV	DATE: 11/23/17	SCALE: NA	DRAWING TYPE: INSTALLATION	SIZE: A	SHEET 1 OF 1