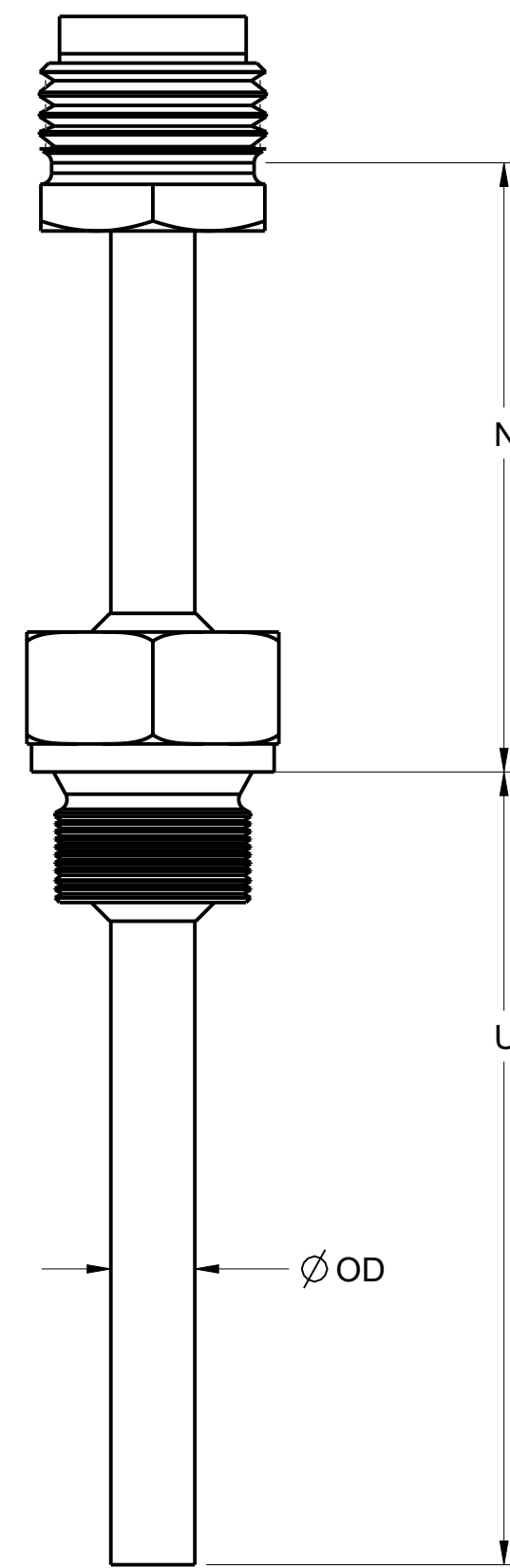
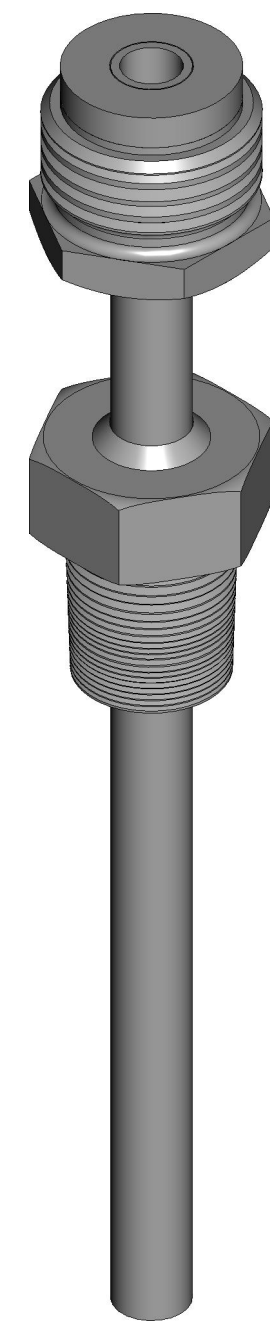


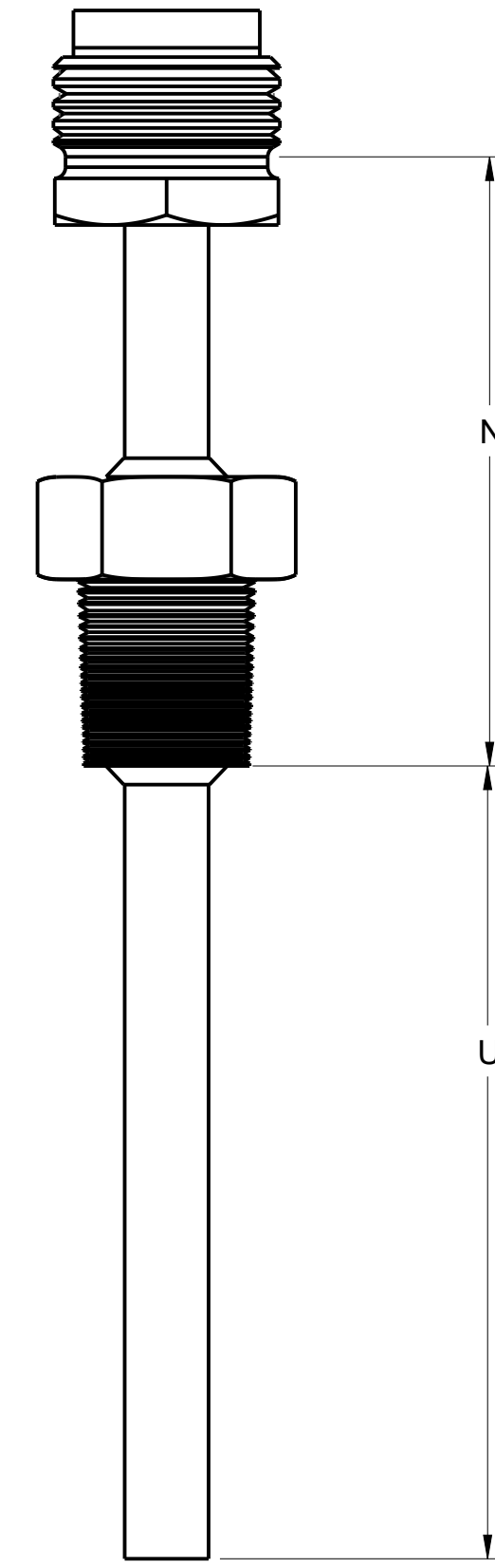
# ROSEMOUNT 108 TUBULAR THERMOWELL TYPES

REVISION TABLE			
REVISION	ECO NO.	APP'D	DATE
AA	RTC1073344	T. BONKAT	6/6/19
DESCRIPTION			
NEW RELEASE			

## THREADED CONNECTION



STRAIGHT THREAD



TAPER THREAD

PROCESS CONNECTION CODE	DESCRIPTION	THREAD STANDARD
AA	1/2 ANPT	SAE -AS 71051 REF. PS-71
DA	M20 X 1.5	BS 3643
DC	M27 X 2	
DD	M33 X 2	ISO 228/1 (BS2779)
DE	G1/2	
DF	G3/4	

CODE	STEM DIAMETER
09	9 X 1mm
12	12 X 2.5mm
16	16 X 4mm

©2015 ROSEMOUNT INC.  
ROSEMOUNT INC. CERTIFIES  
THIS DRAWING IS MADE IN  
ACCORDANCE WITH  
ROSEMOUNT ENGINEERING  
SPECIFICATIONS.  
UNIT NOTES IN INCHES (mm).

REFERENCE ROSEMOUNT  
PRODUCT SPECIFICATIONS.  
CLICK HERE

EMERSON

ROSEMOUNT 108 TUBULAR THERMO  
TYPE I DRAWING

DR. J. ARMSTRONG 6/6/19 DRAWING NO. 00108-7000  
APP'D T. BONKAT 6/6/19

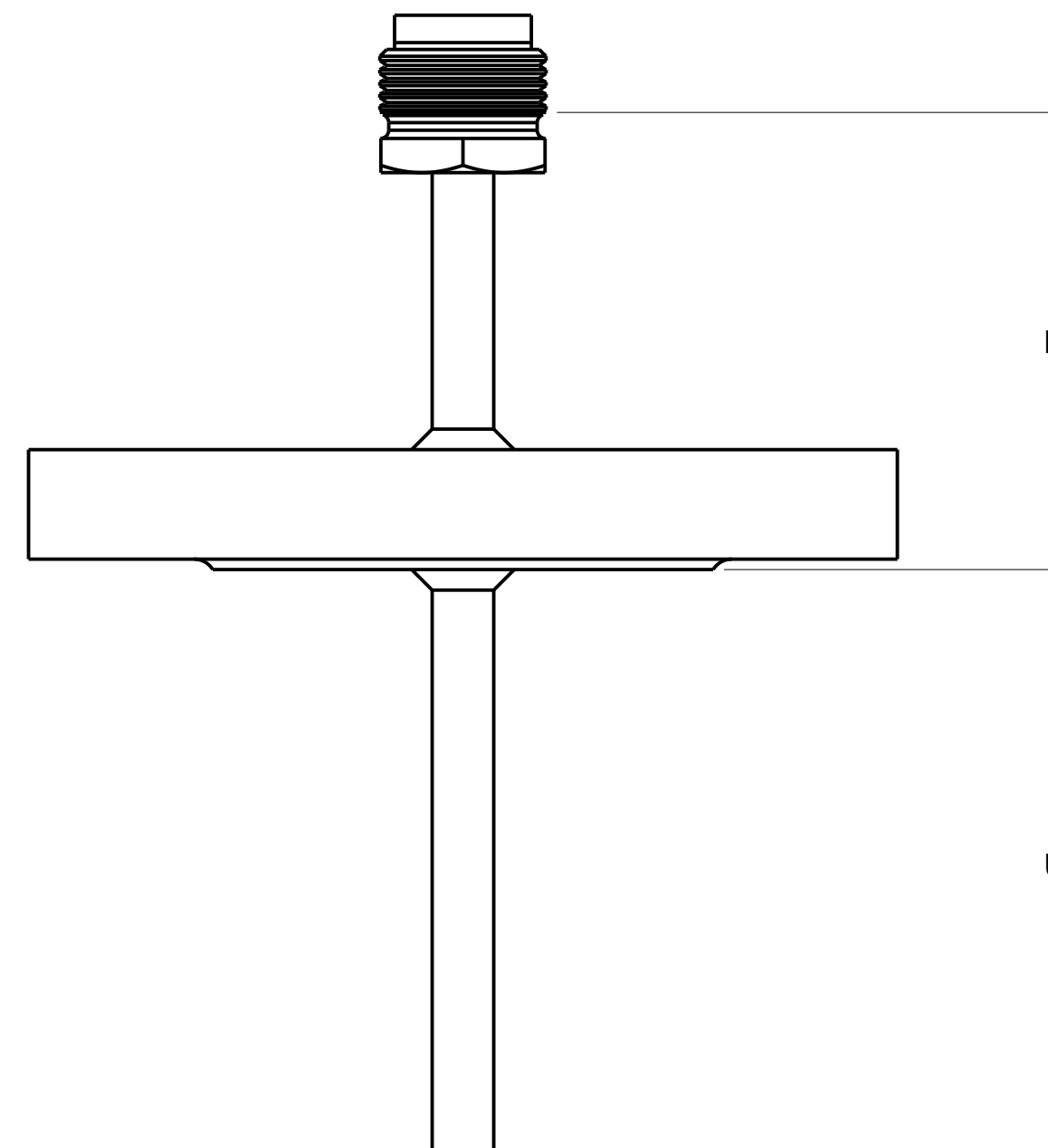
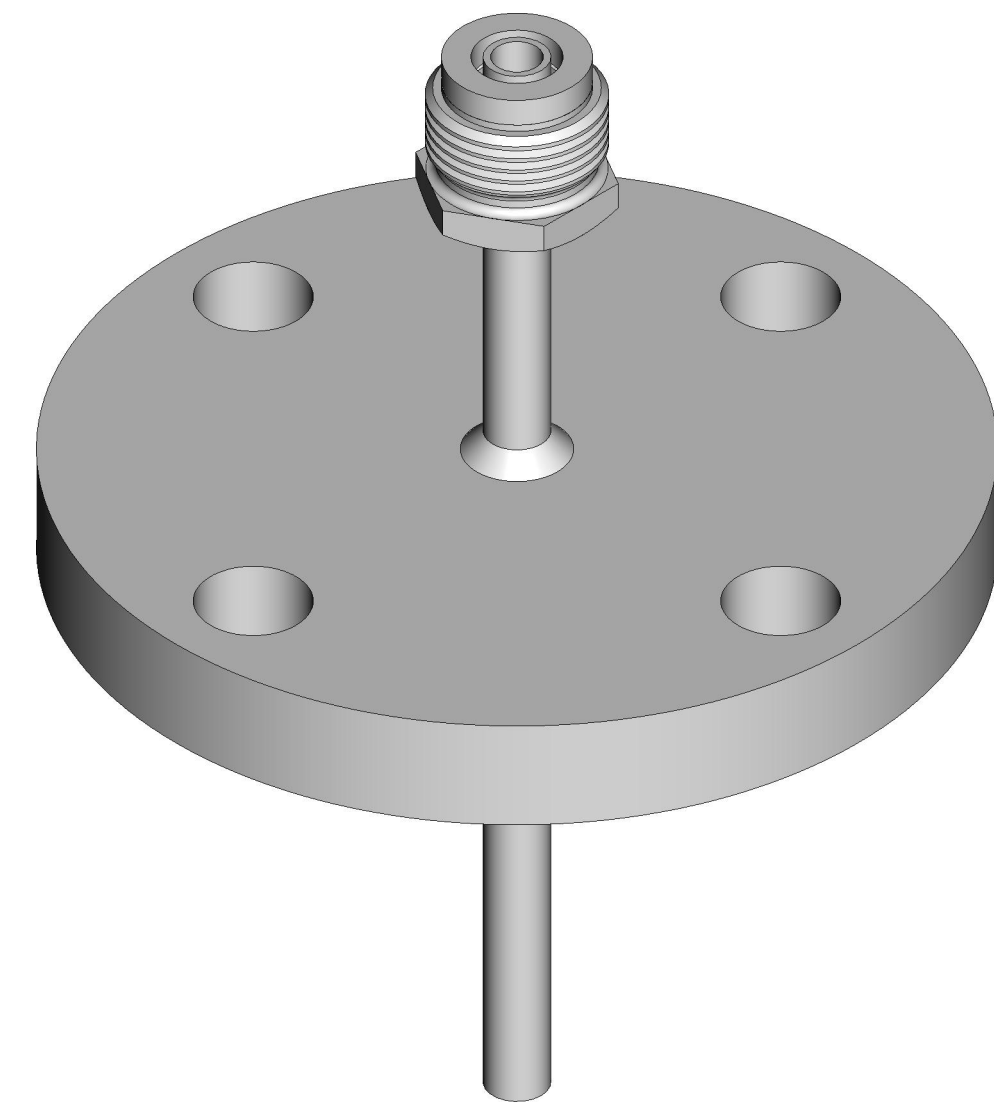
CAD MAINTAINED, (PRO/E) SHEET 1 OF 2

3RD ANGLE

SIZE D SCALE NTS

# ROSEMOUNT 108 TUBULAR THERMOWELL TYPES

## FLANGE CONNECTION



PROCESS CONNECTION	
CODE	DESCRIPTION
AA	1" CLASS 150
AB	1 1/2" CLASS 150
AC	2" CLASS 150
AH	1" CLASS 300
AJ	1 1/2" CLASS 300
AK	2" CLASS 300
GE	DN25 /PN10/16/25/40
JE	DN40 /PN10/16/25/40
KC	DN50 /PN10/16
KE	DN50 /PN25/40

CODE	STEM DIAMETER
09	9 X 1mm
12	12 X 2.5mm
16	16 X 4mm

©2015 ROSEMOUNT INC.  
 ROSEMOUNT INC. CERTIFIES  
 THIS DRAWING IS IN  
 ACCORDANCE WITH  
 ROSEMOUNT ENGINEERING  
 SPECIFICATIONS.  
 UNIT NOTES IN INCHES (mm).  
 REFERENCE ROSEMOUNT  
 PRODUCT SPECIFICATIONS.  
 CLICK HERE

3RD ANGLE

SIZE D SCALE NTS

**EMERSON**

**ROSEMOUNT 108 TUBULAR THERMO  
 TYPE I DRAWING**

DR. J. ARMSTRONG	6/6/19	DRAWING NO.	00108-7000
APPD T. BONKAT	6/6/19		

CAD MAINTAINED, (PROE) SHEET 2 OF 2