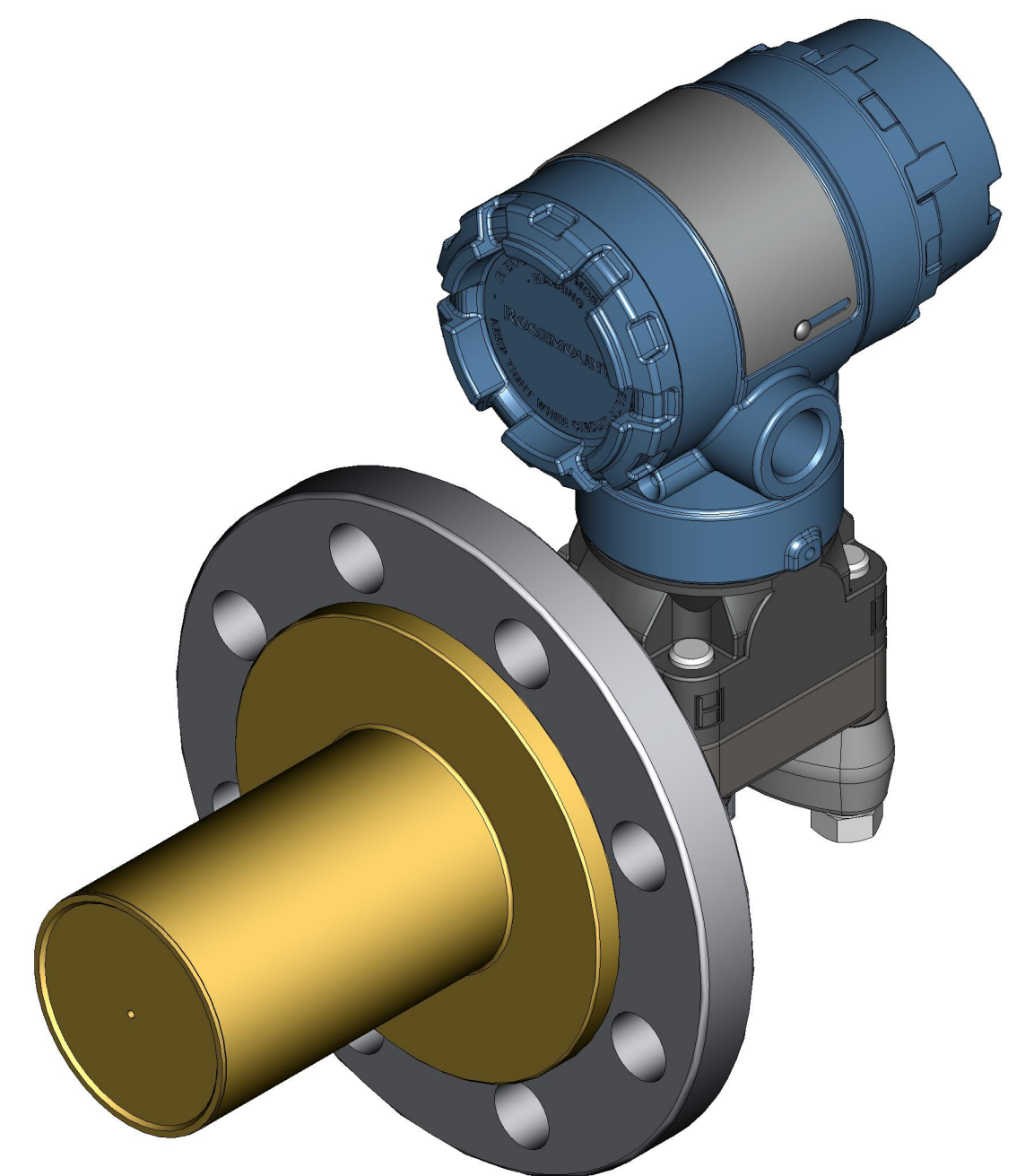
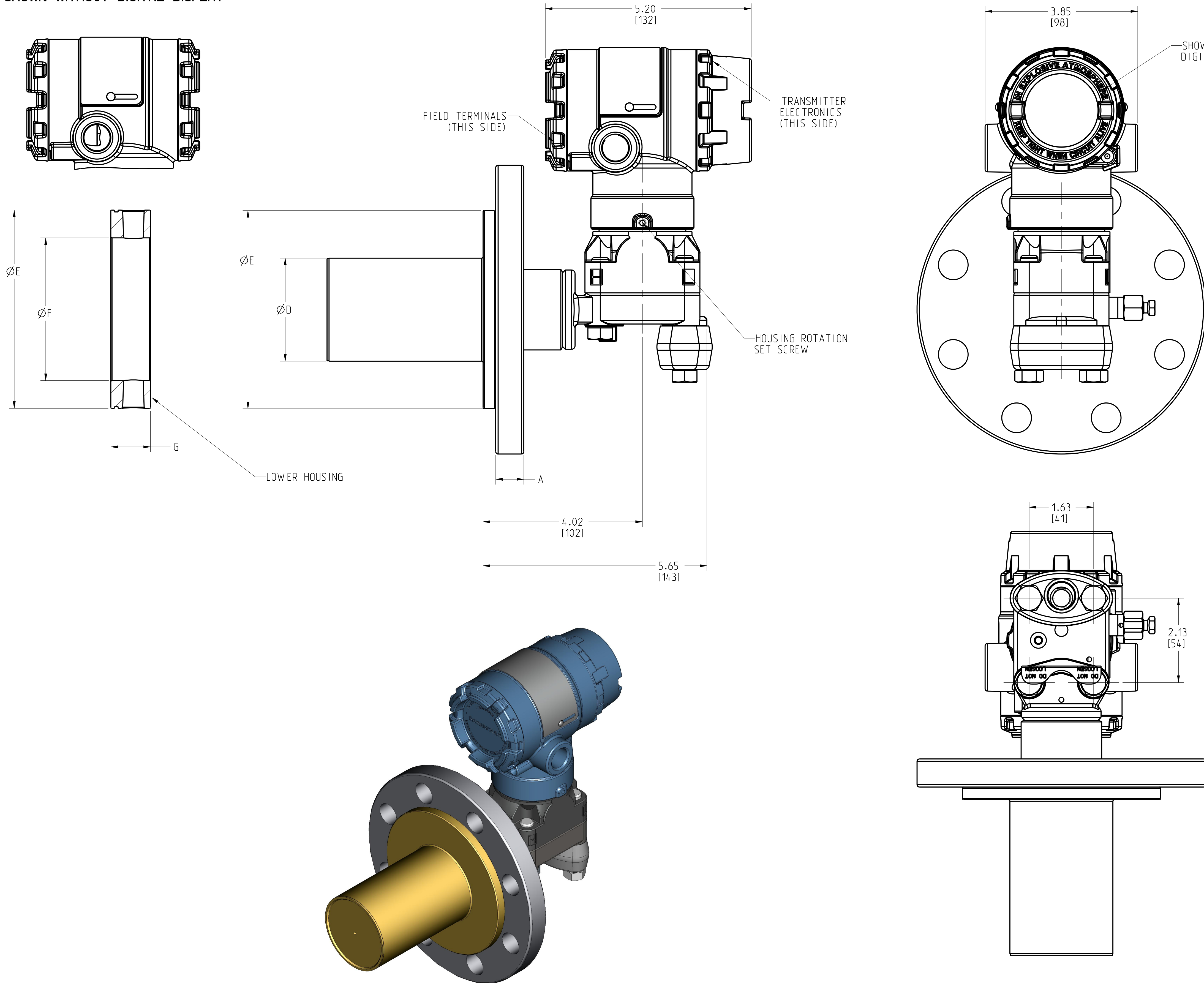


ROSEMOUNT 2051L LIQUID LEVEL PRESSURE TRANSMITTER COPLANAR FLANGE PROCESS CONNECTION

SHOWN WITHOUT DIGITAL DISPLAY

OUTPUT CODE (A) AND (M) AND (F) AND (W)
ALUMINUM/SST HOUSING

REVISION TABLE			
REVISION	ECO NO.	APP'D	DATE
AE	RTC1073817	E. KIM	9/16/19
DESCRIPTION			
REMOVE OLD VIEWS OF THEW FIELDBUS HOUSING			

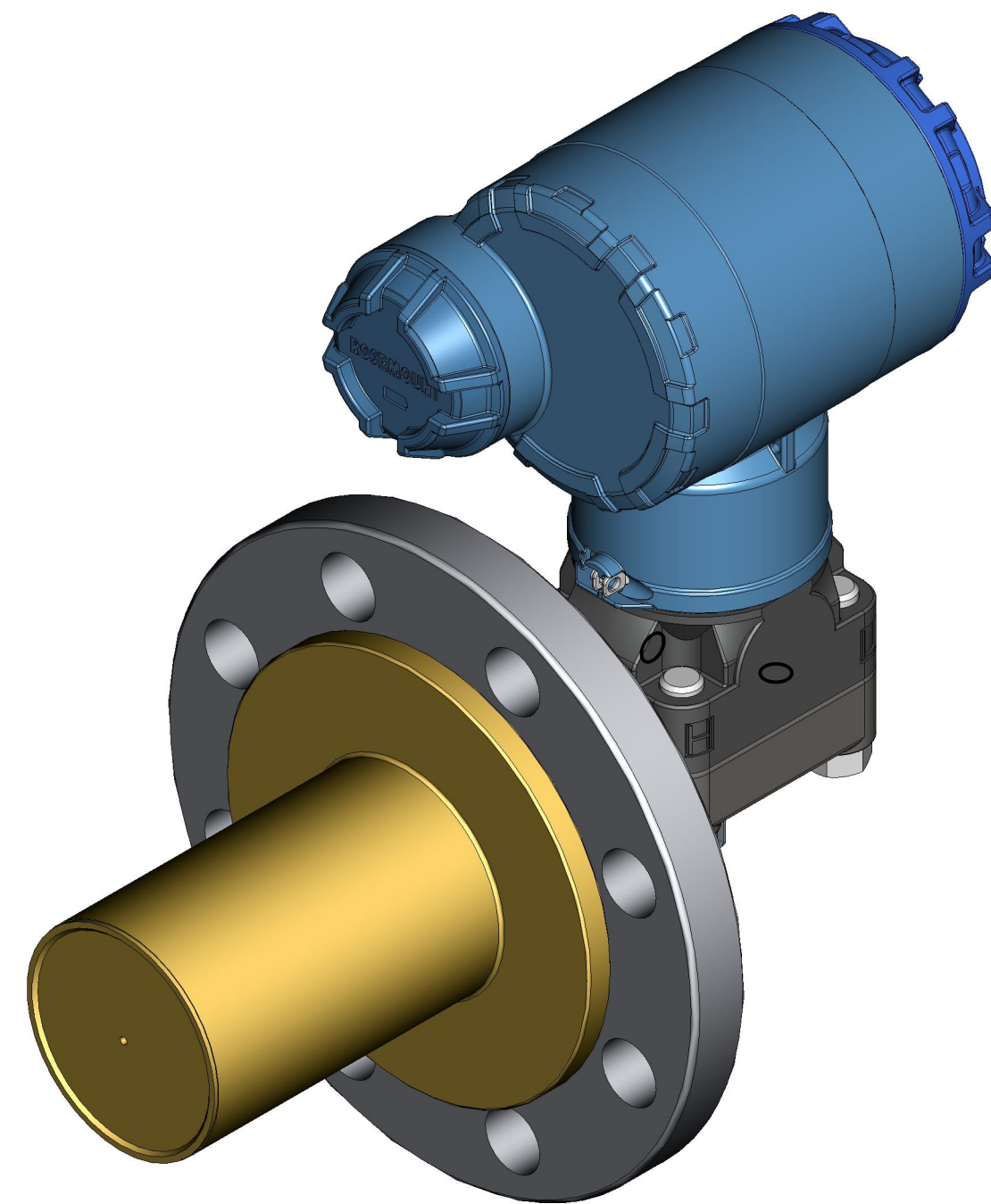
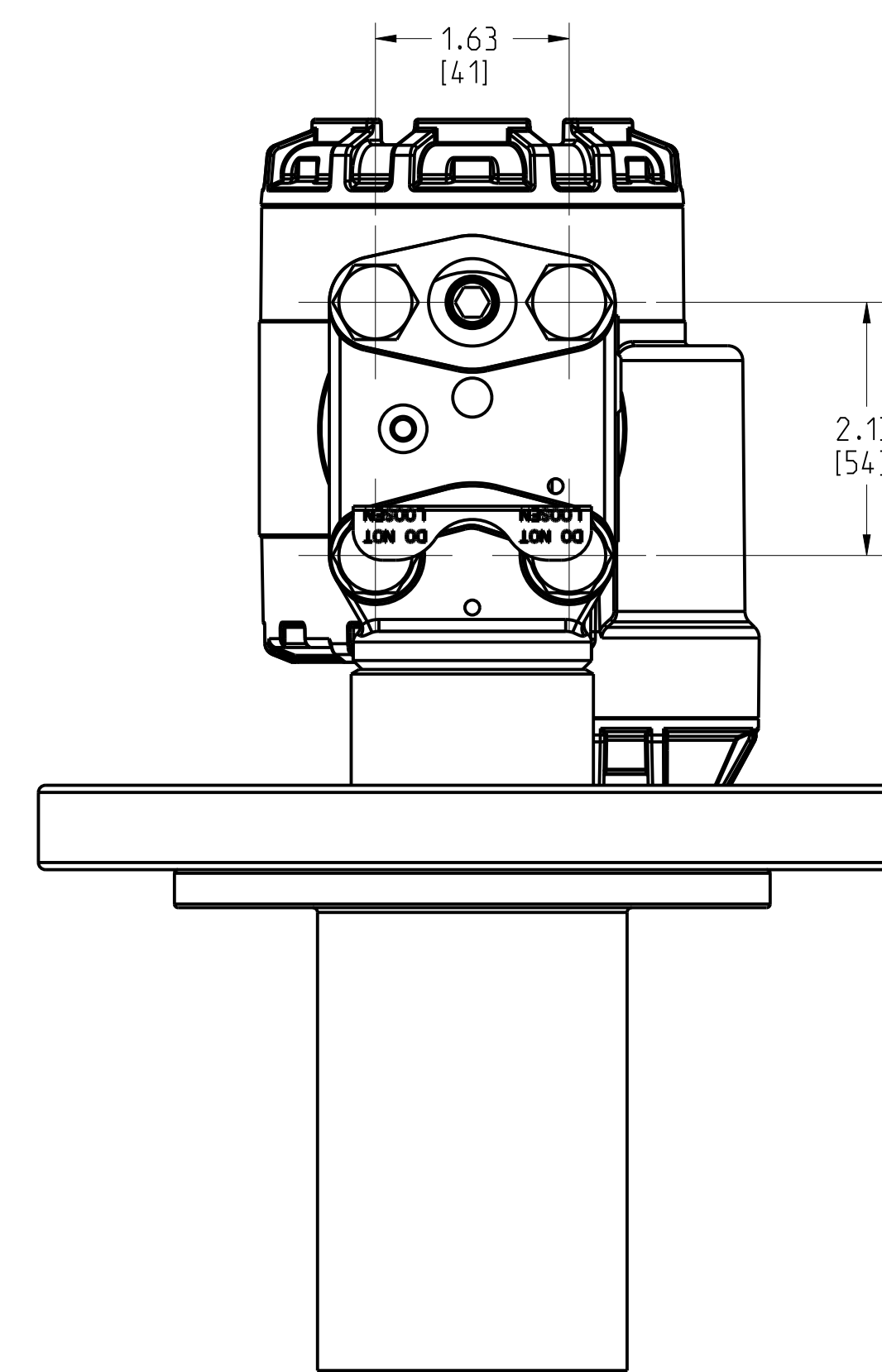
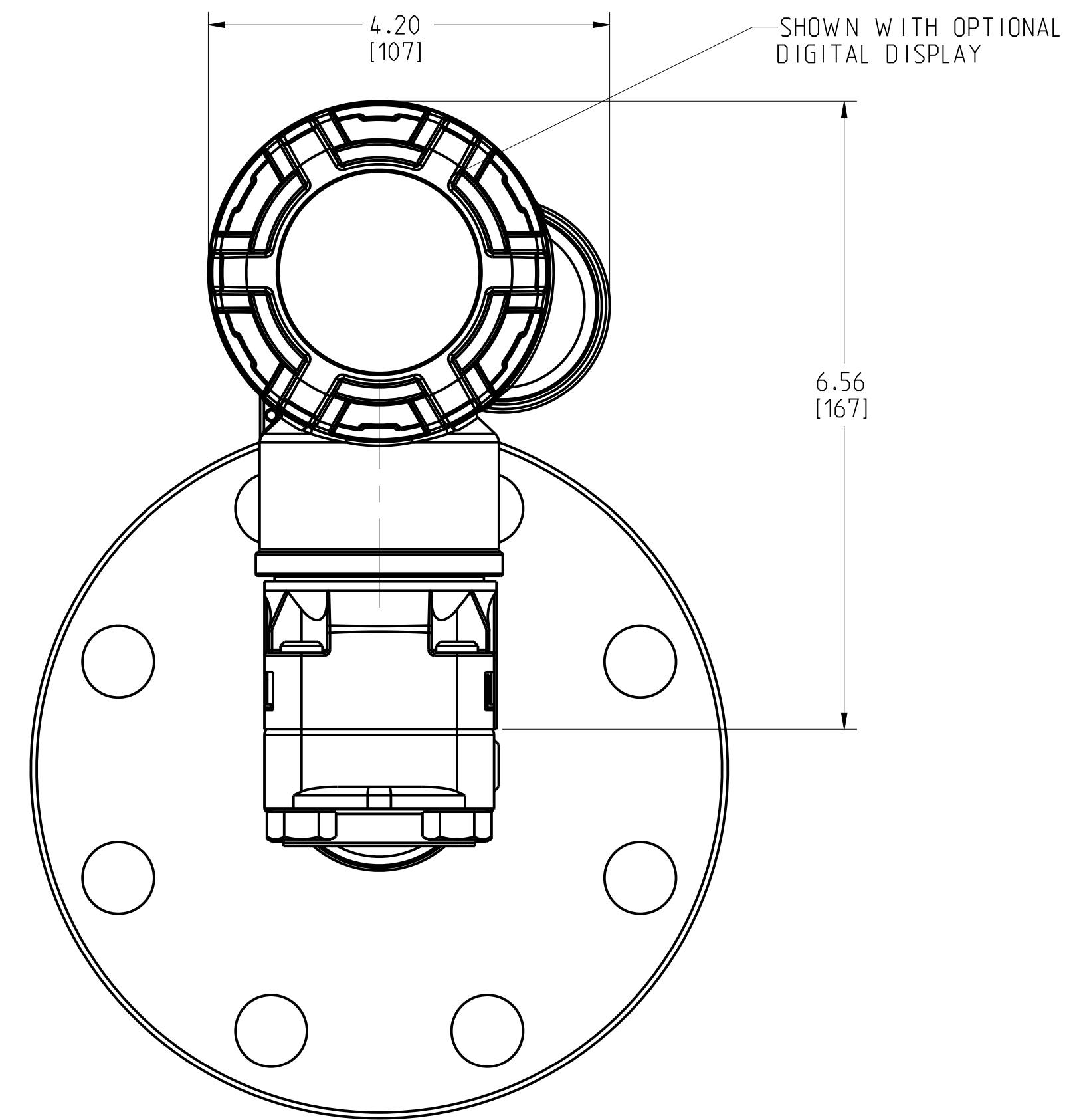
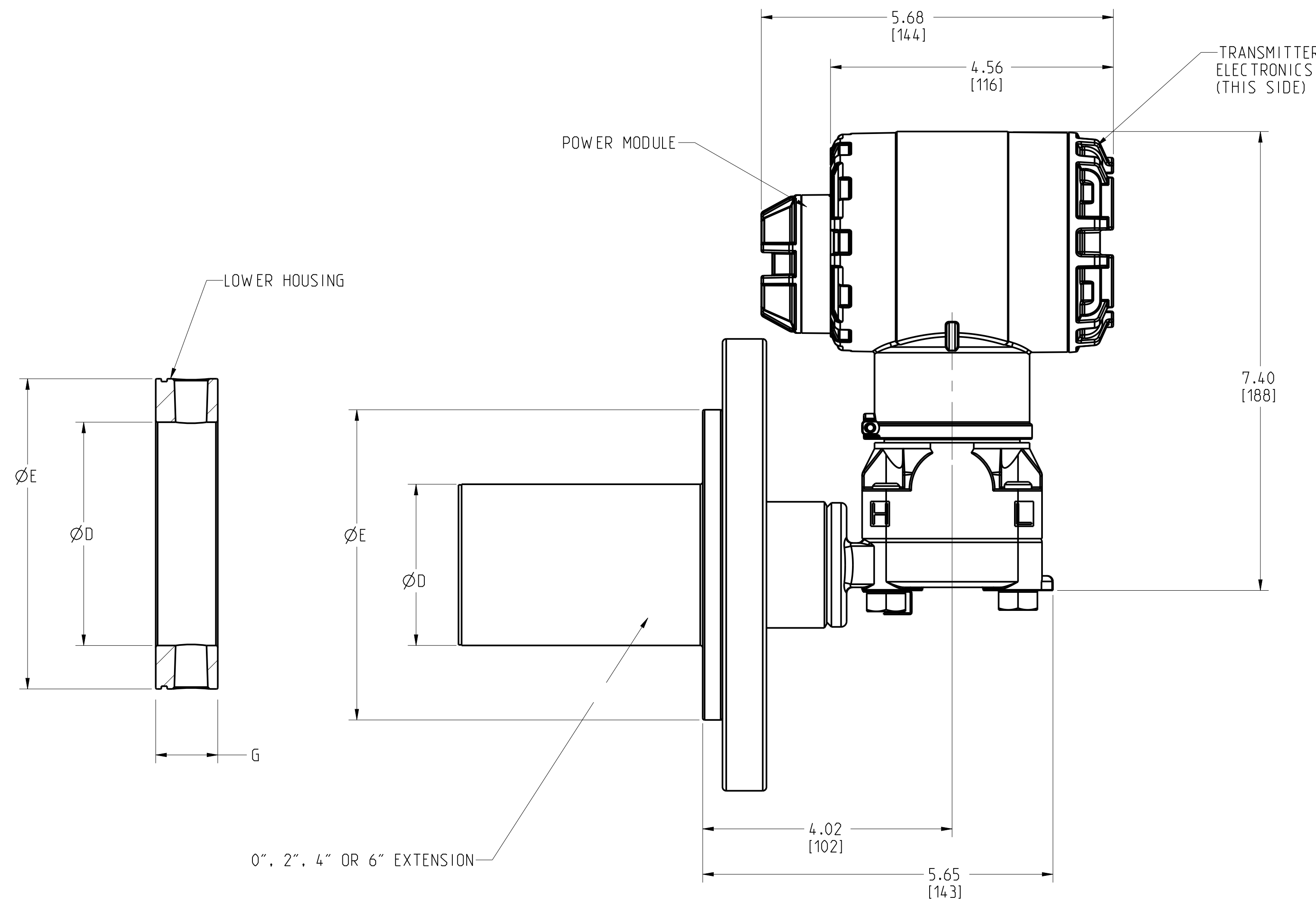


©2015 ROSEMOUNT, INC.
ROSEMOUNT AND LOGO ARE TRADEMARKS OF ROSEMOUNT TECHNOLOGICAL CORPORATION. ALL RIGHTS RESERVED.
THIS DRAWING IS THE PROPERTY OF ROSEMOUNT TECHNOLOGICAL CORPORATION. IT IS TO BE USED IN ACCORDANCE WITH THE ROSEMOUNT ENGINEERING SPECIFICATIONS.
UNIT NOTES IN INCHES (mm).
REFERENCE ROSEMOUNT PRODUCT SPECIFICATIONS FOR PRODUCT SPECIFICATIONS.
[CLICK HERE](#)

EMERSON		3RD ANGLE	SIZE D	SCALE NTS
TITLE ROSEMOUNT 2051L LIQUID LEVEL TYPE I DRAWING				
DR.	JLA	2/25/13	DRAWING NO.	02051-7712
APP'D	PF	2/28/13		
CAD MAINTAINED (PRO/EI)				SHEET 1 OF 3

ROSEMOUNT 2051L WIRELESS COPLANAR PRESSURE TRANSMITTER
 COPLANAR FLANGE PROCESS CONNECTION

OUTPUT CODE (X)
 POLYMER HOUSING



©2015 ROSEMOUNT, INC.
 ROSEMOUNT AND CLEARVIEW
 ARE TRADEMARKS OF ROSEMOUNT
 IN ACCORDANCE WITH
 ROSEMOUNT ENGINEERING
 SPECIFICATIONS.
 UNIT NOTES IN INCHES (mm).

REFERENCE ROSEMOUNT
 PRODUCT SPECIFICATIONS.
[CLICK HERE](#)

CAD MAINTAINED (PRO/E)

3RD ANGLE

EMERSON

ROSEMOUNT 2051L LIQUID LEVEL
 TYPE I DRAWING

DR. JLA 2/25/13 DRAWING NO. 02051-7712

APP'D PF 2/28/13

SIZE D SCALE NTS

SHEET 2 OF 3

TABLE 1

CLASS	PIPE SIZE	FLANGE THICKNESS (A)	NO. OF BOLTS	BOLT CIRCLE DIAMETER (B)	OUTSIDE DIAMETER (C)	BOLT HOLE DIAMETER	EXTENSION DIAMETER (D)	O.D. GASKET SURFACE E
ASME B16.5 (ANSI) 150	2 (51)	0.69 (18)	4	4.75 (121)	6.0 (152)	0.75 (19)	NA	3.6 (92)
	3 (76)	0.88 (22)	4	6.0 (152)	7.5 (191)	0.75 (19)	2.58 (66)	5.0 (127)
	4 (102)	0.88 (22)	8	7.5 (191)	9.0 (229)	0.75 (19)	3.5 (89)	6.2 (158)
ASME B16.5 (ANSI) 300	2 (51)	0.82 (21)	8	5.0 (127)	6.5 (165)	0.75 (19)	NA	3.6 (92)
	3 (76)	1.06 (27)	8	6.62 (168)	8.25 (210)	0.88 (22)	2.58 (66)	5.0 (127)
	4 (102)	1.19 (30)	8	7.88 (200)	10.0 (254)	0.88 (22)	3.5 (89)	6.2 (158)
EN 1092-1 PN 10-40	DN 50	20 mm	4	125 mm	165 mm	18 mm	NA	4.0 (102)
EN 1092-1 PN 25/40	DN 80	24 mm	8	160 mm	200 mm	18 mm	66 mm	5.4 (138)
	DN 100	24 mm	8	190 mm	235 mm	22 mm	89 mm	6.2 (158)
EN 1092-1 PN 10/16	DN 100	20 mm	8	180 mm	220 mm	18 mm	89 mm	6.2 (158)

MOUNTING FLANGE

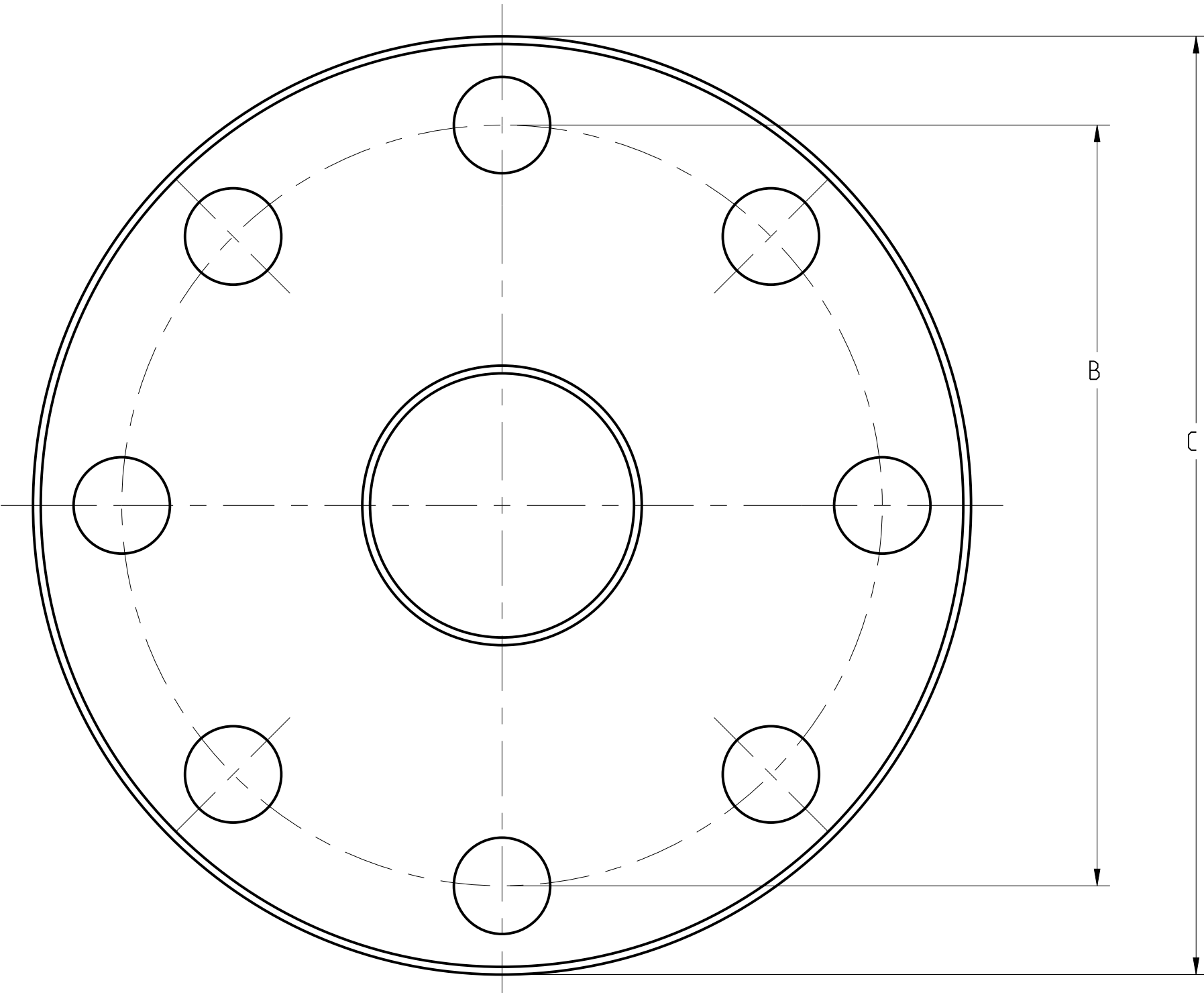


TABLE 2

CLASS (1)	PIPE SIZE	PROCESS SIDE F	LOWER HOUSING G 1/4 in. NPT	LOWER HOUSING G 1/2 in. NPT
ASME B16.5 (ANSI) 150	2 (51)	2.12 (54)	0.97 (25)	1.31 (33)
	3 (76)	3.6 (91)	0.97 (25)	1.31 (33)
	4 (102)	3.6 (91)	0.97 (25)	1.31 (33)
ASME B16.5 (ANSI) 300	2 (51)	2.12 (54)	0.97 (25)	1.31 (33)
	3 (76)	3.6 (91)	0.97 (25)	1.31 (33)
	4 (102)	3.6 (91)	0.97 (25)	1.31 (33)
EN 1092-1 PN 10-40	DN 50	2.4 (61)	0.97 (25)	1.31 (33)
EN 1092-1 PN 25-40	DN 80	3.6 (91)	0.97 (25)	1.31 (33)
	DN 100	3.6 (91)	0.97 (25)	1.31 (33)
EN 1092-1 PN 10/16	DN 100	3.6 (91)	0.97 (25)	1.31 (33)

©2015 ROSEMOUNT, INC.
 ROSEMOUNT, INC. ACCEPTS
 THE DRAWING AS SHOWN IN
 ACCORDANCE WITH
 ROSEMOUNT ENGINEERING
 SPECIFICATIONS.
 UNIT NOTES IN INCHES (mm).
 REFERENCE ROSEMOUNT
 PRODUCT SPECIFICATIONS.
[CLICK HERE](#)

		3RD ANGLE		SIZE	SCALE
		D		D	NTS
ROSEMOUNT 2051L LIQUID LEVEL TYPE I DRAWING					
DR.	JLA	2/25/13	DRAWING NO.		
APP'D	PF	2/28/13	02051-7712		
CAD MAINTAINED: (PRO/E)					SHEET 3 OF 3