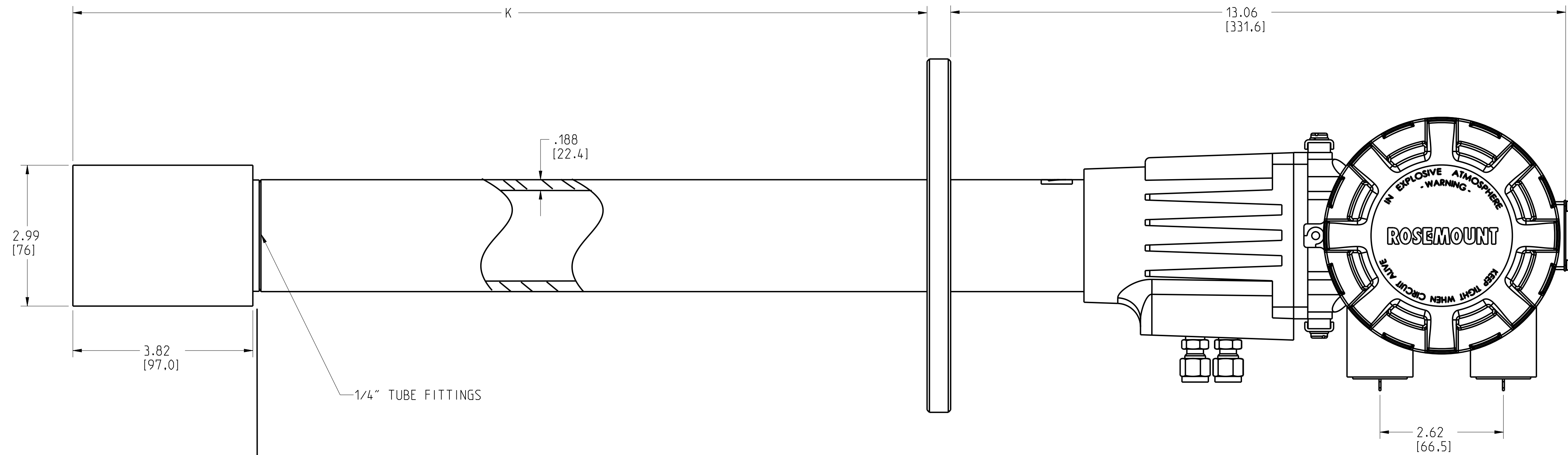


ROSEMOUNT MODEL OXT4000C IN-SITU OXYGEN TRANSMITTER (EXPLOSION PROOF)

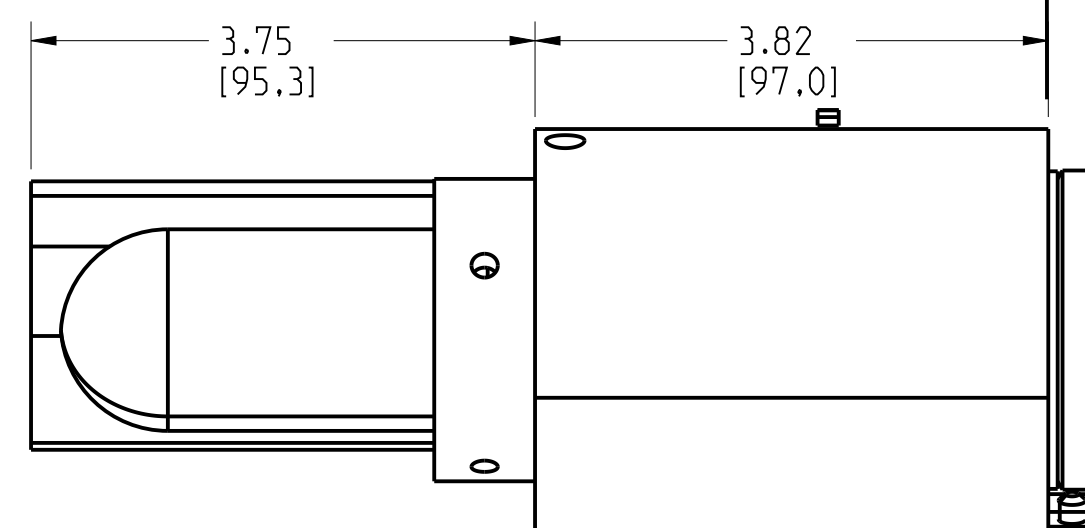
REVISION TABLE			
REVISION	ECO NO.	APP'D	DATE
AA	12391	A-SMITH	8/22/19
DESCRIPTION			
NEW RELEASE			

Probe Length	Dim K Insertion Depth
18 in. [457mm]	18.10 in. [479 mm]
3 ft. [.91m]	36.10 in. [936 mm]
6 ft. [1.83m]	72.1 in. [1850 mm]

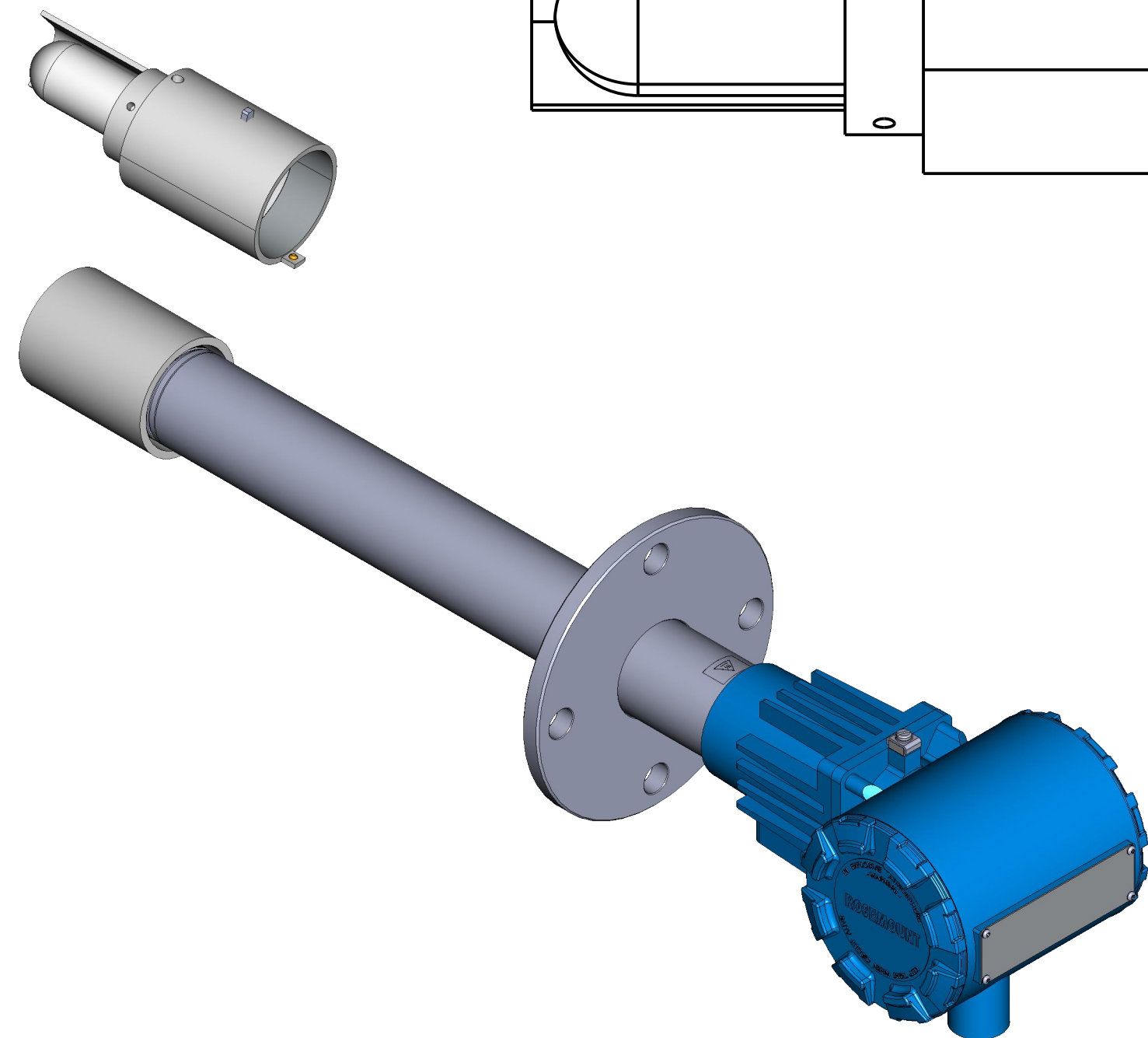
CELL FLAME ARRESTER



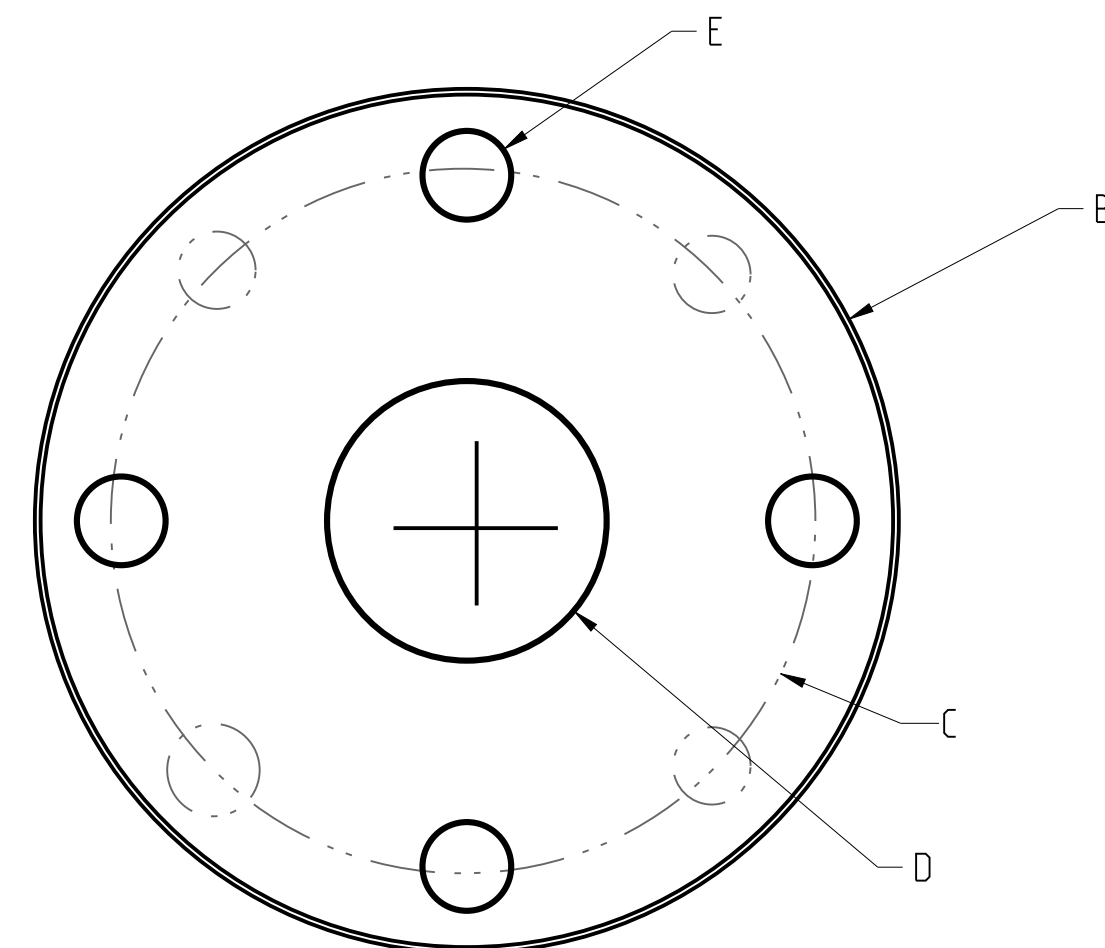
CERAMIC DIFFUSER
VEE DEFLECTOR



1/4" TUBE FITTINGS



MOUNTING FLANGE



FLANGE SIZE	DIM. A	DIM. B	DIM. C	DIM. D	DIM. E BOLT HOLES
2 in. [50.8] 150#	.50 in. [12.7mm]	7.50 [190.5]	6.00 [152]	2.530 [64.3]	4 X .790 [20.0]
3 in. [76.2] 300#	1.125 IN. [28.6]	8.25 [209.55]	6.62 [168.1]	2.530 [64.3]	8 X .88 [22.4]
4 in. [101.6] 300#	1.125 IN. [28.6]	10.0 [254]	7.88 [200.2]	2.530 [64.3]	8 X .88 [22.4]

©2015 ROSEMOUNT, INC.
ROSEMOUNT INC. CERTIFIES
THIS DRAWING AS ACCURATE IN
ACCORDANCE WITH
ROSEMOUNT ENGINEERING
SPECIFICATIONS.
UNIT NOTES IN INCHES (mm).

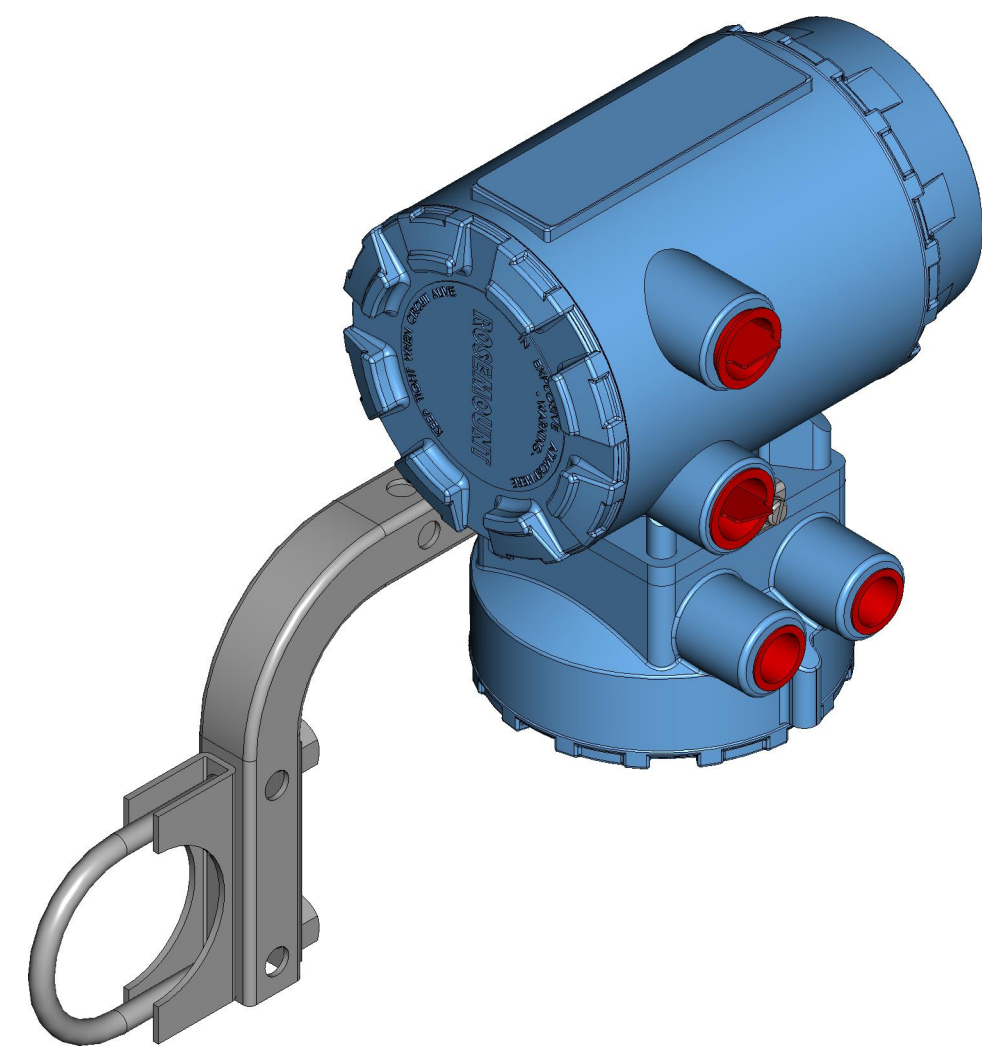
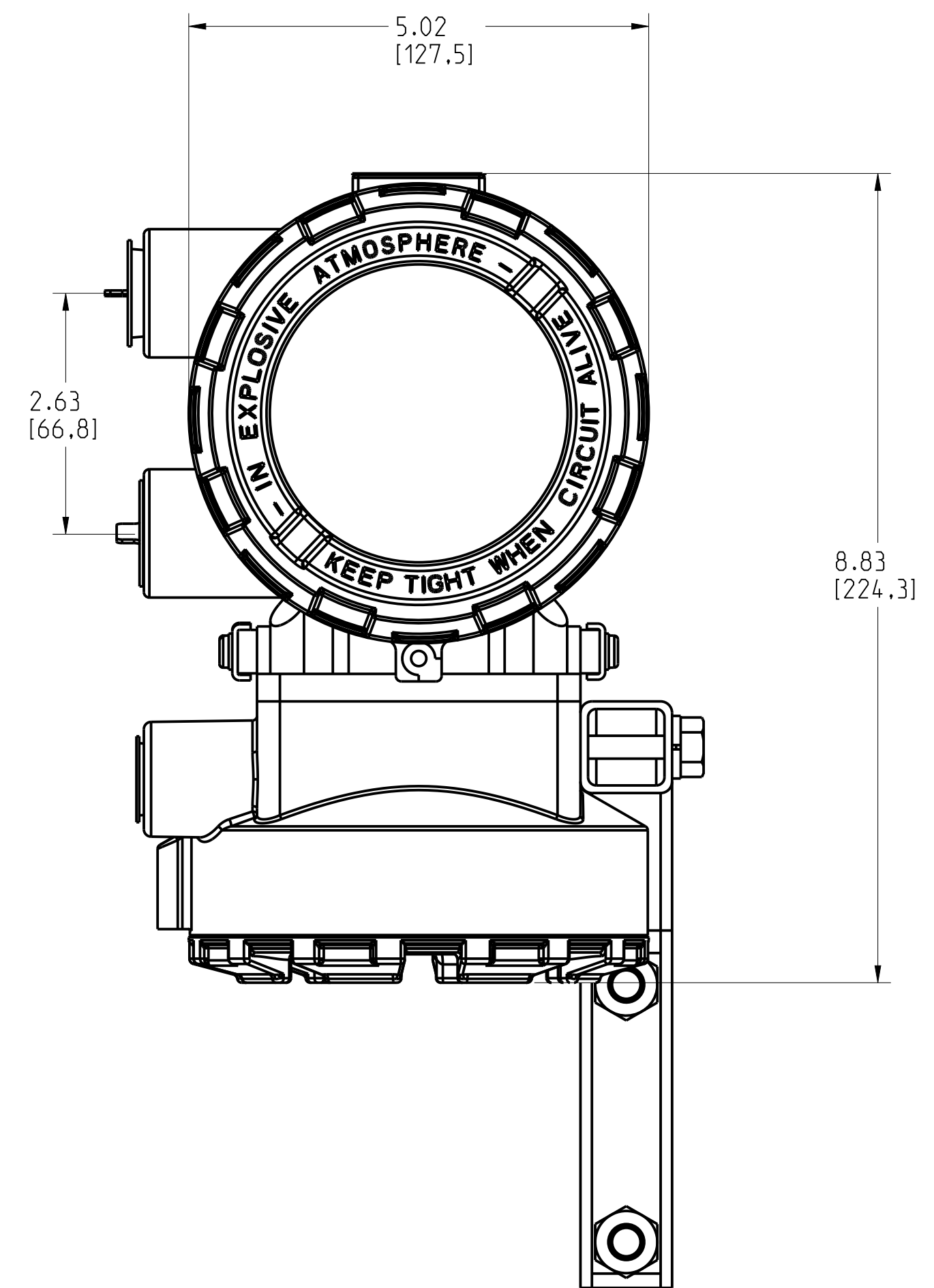
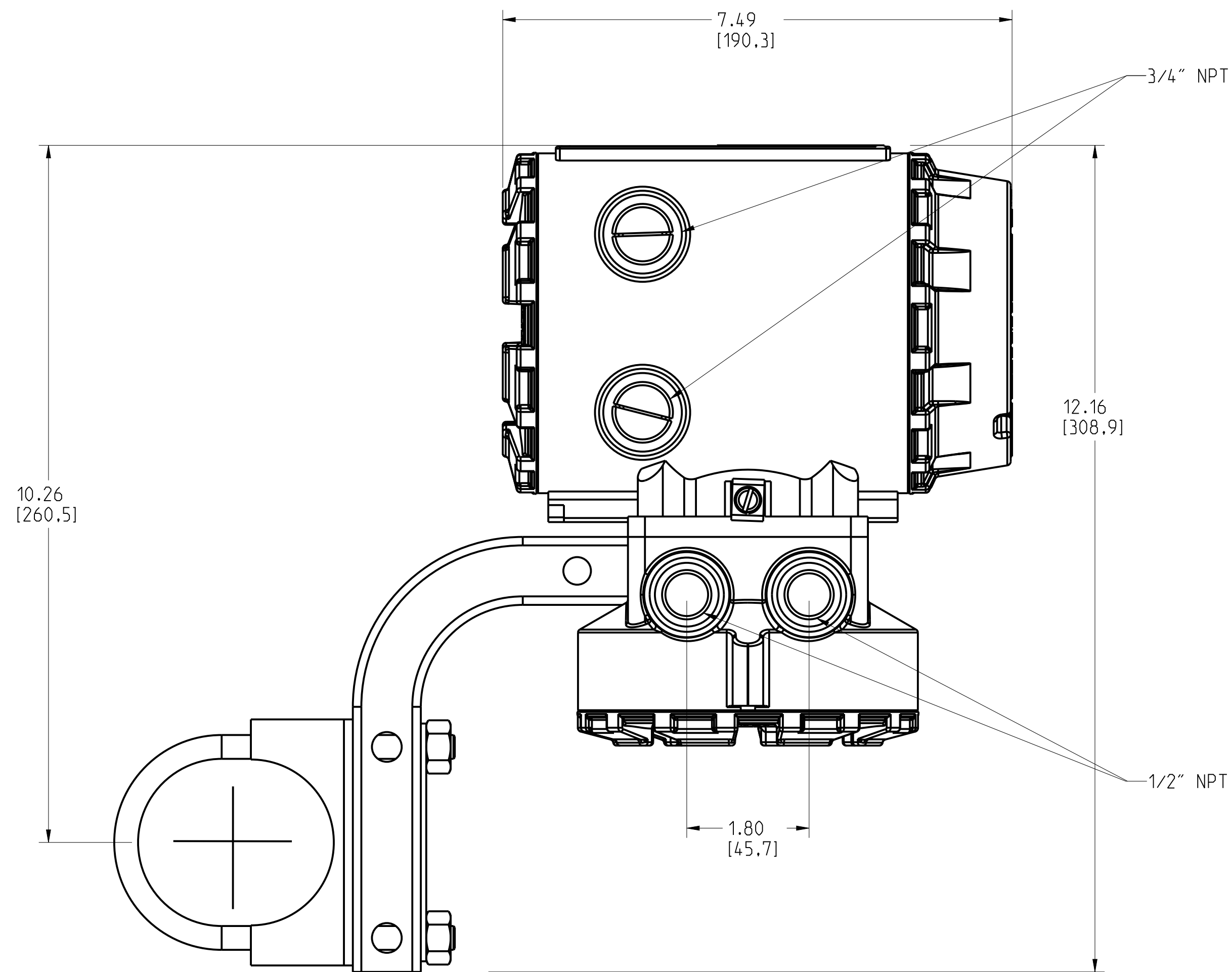
EMERSON

TITLE
**ROSEMOUNT OXT4C
TYPE I DRAWING**

DR. J. ARMSTRONG 6/6/19 DRAWING NO.
APP'D J. SUMSTAD 6/6/19 **OXT4C-7000**

CAD MAINTAINED (PRO/E) SHEET 1 OF 3

ROSEMOUNT MODEL OCT4C OXYGEN/COMBUSTIBLE TRANSMITTER
 REMOTE DISPLAY



©2015 ROSEMOUNT, INC. ALL RIGHTS RESERVED. THIS DRAWING IS THE PROPERTY OF ROSEMOUNT, INC. AND IS TO BE USED IN ACCORDANCE WITH ROSEMOUNT ENGINEERING SPECIFICATIONS. UNIT NOTES IN INCHES (mm).

REFERENCE ROSEMOUNT PRODUCT SPECIFICATIONS FOR PRODUCT SPECIFICATIONS. CLICK HERE

EMERSON

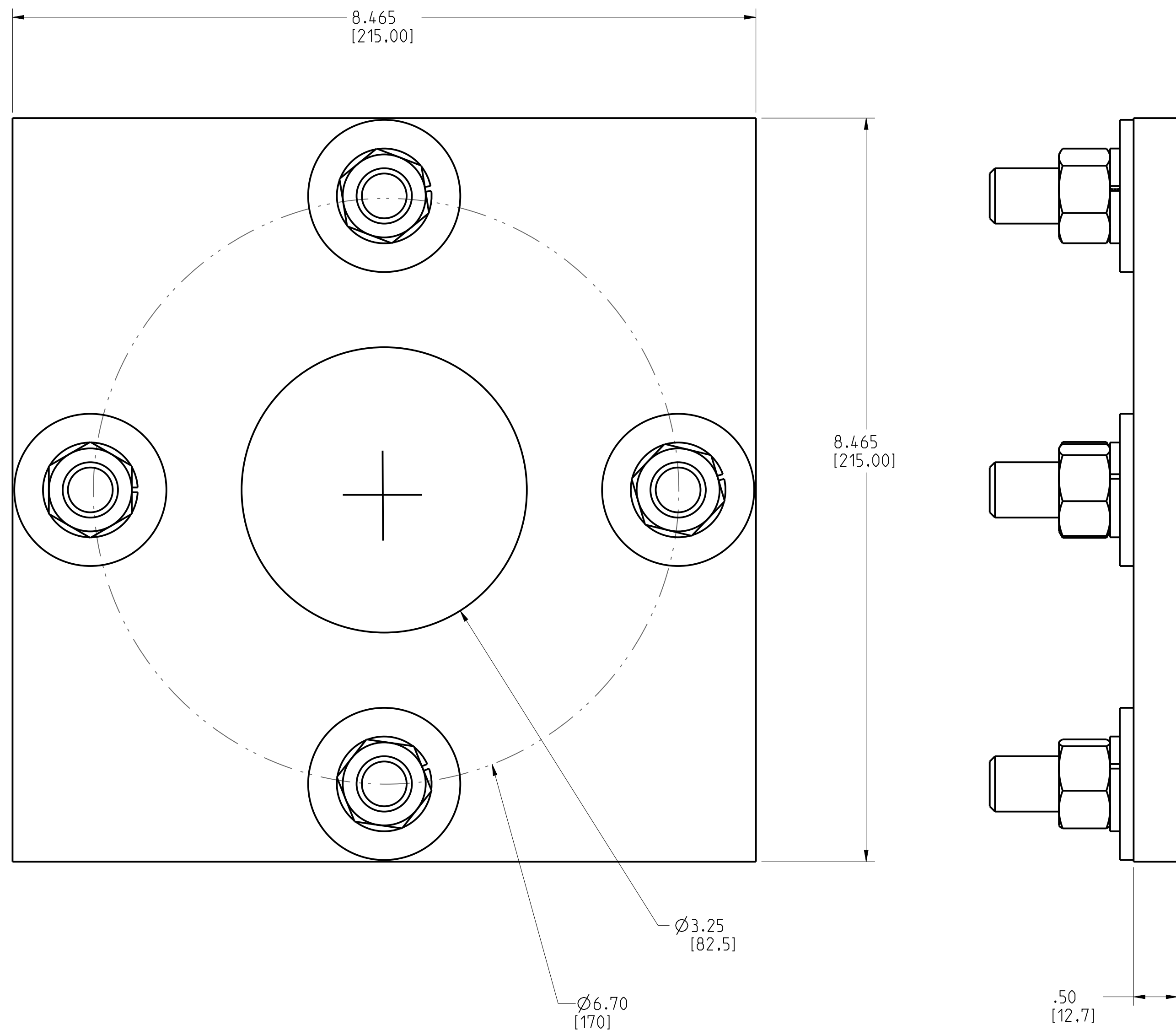
TITLE
 ROSEMOUNT OXT4C
 TYPE I DRAWING

DR. J. ARMSTRONG	6/6/19	DRAWING NO.	OXT4C-7000
APP'D J. SUMSTAD	6/6/19		

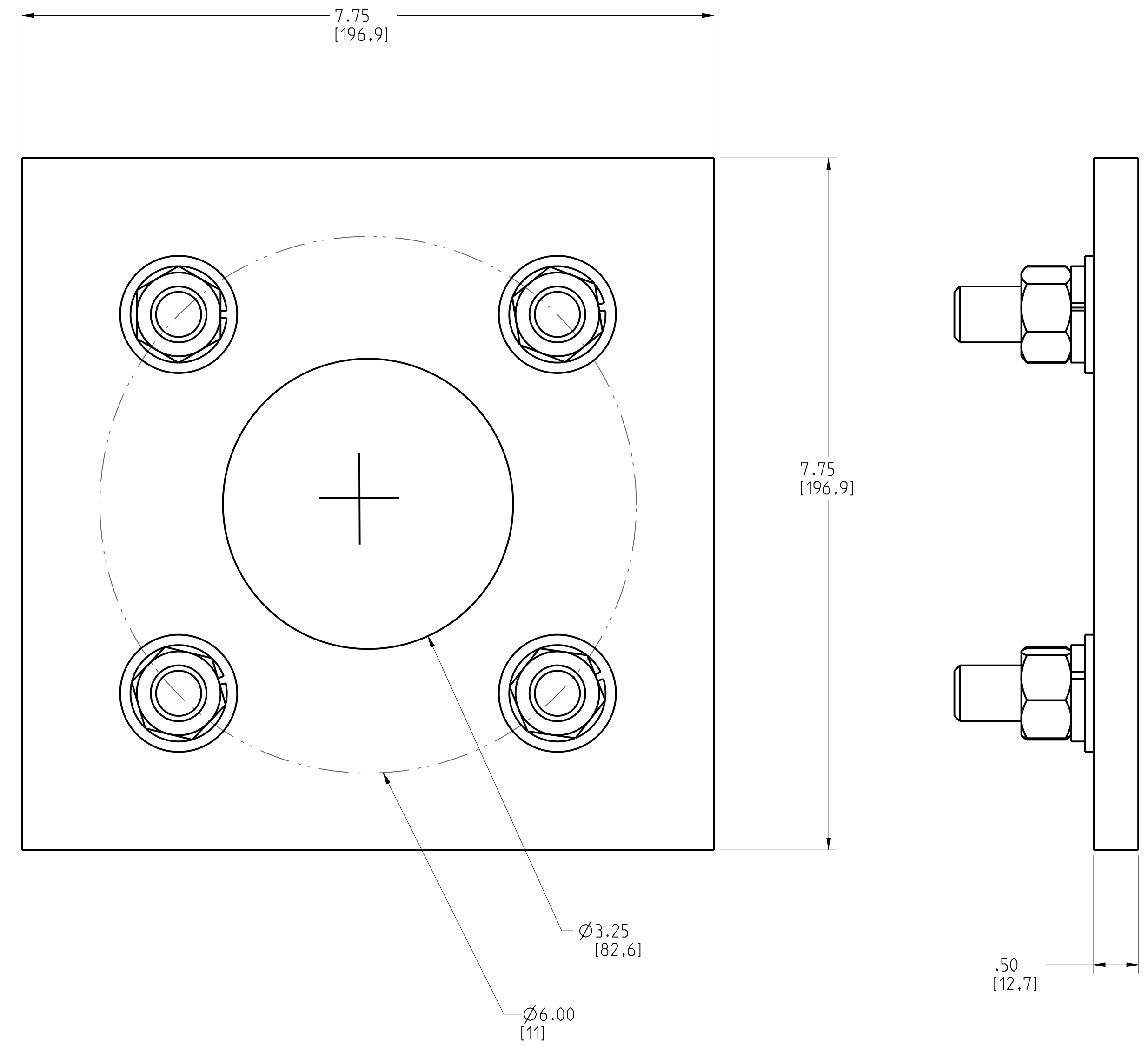
CAD MAINTAINED: (PRO/EI) SHEET 2 OF 3

ROSEMOUNT MODEL OCT4C OXYGEN/COMBUSTIBLE MOUNTING PLATES

DIN WELD PLATE



ANSI WELD PLATE



©2015 ROSEMOUNT, INC.
 ROSEMOUNT AND EMERSON
 LOGOS ARE TRADEMARKS OF
 ROSEMOUNT ENGINEERING
 SPECIFICATIONS.
 UNIT NOTES IN INCHES (mm).

REFERENCE ROSEMOUNT
 PRODUCT SPECIFICATIONS.
 CLICK HERE

EMERSON

TITLE
**ROSEMOUNT OXT4C
 TYPE I DRAWING**

DR. J. ARMSTRONG 6/6/19 DRAWING NO.
 APP'D J. SUMSTAD 6/6/19 **OXT4C-7000**

CAD MAINTAINED (PRO/E) SHEET 3 OF 3