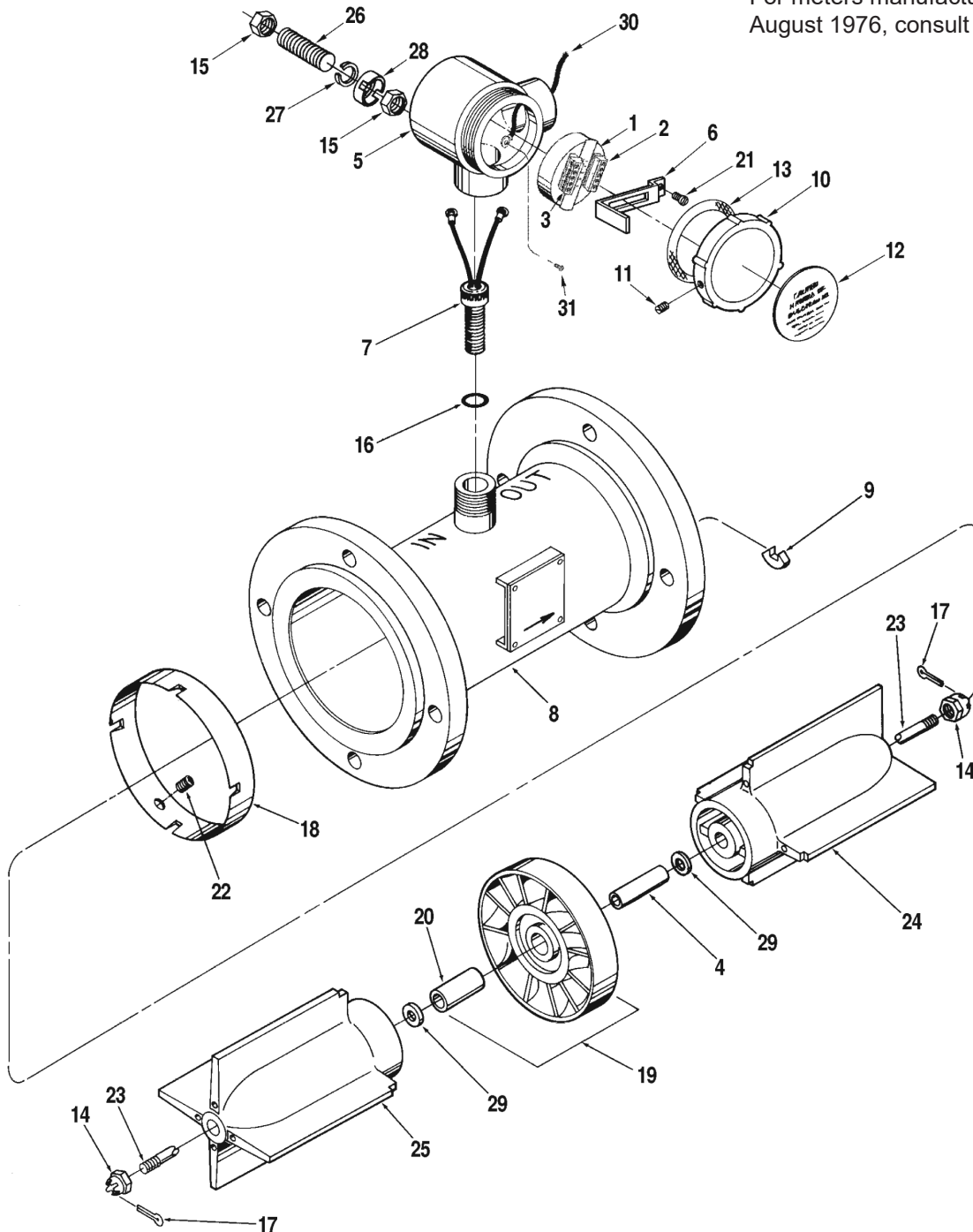


Meter, Turbine, 16 Inch, Sentry Series, Model K2DL

Bulletin PO02019 Issue/Rev. 0.0 (09/13)

For meters manufactured prior to August 1976, consult factory.



Item	Description	Qty.	Part Number
1	+ Preamplifier:		
	PA-6, 12 to 24 Vdc.....	#	230663-101
2	Connector, (1-5).....	#	645030-452
3	Connector, (6-10).....	#	645030-453
4	Bearing, Platform.....	1	542281-200
5	Box, Conduit.....	#	543256-200
6	Clip, Retaining.....	#	543192-203
7	+ Coil, Pickup:		
	-100°F to +225°F.....	#	644327-401
	-100°F to +400°F (High Temperature Version).....	#	641512-401
	Mating Connector with Leads (High Temperature Version)...	#	540244-100
8	Housing.....	1	See Note 1
9	Key, Stator:		
	For Stainless Steel Stators.....	1	542834-201
10	Cover, Conduit Box		
	UL/CSA.....	#	543196-100
	ATEX – Manufactured in U.S.A.	#	544057-101
	ATEX – Manufactured in Germany.....	#	544057-102
11	Screw, Set, #6-32 x 1/4".....	#	643243-403
12	Label:		
	UL/CSA.....	#	543195-200
	ATEX – Manufactured in U.S.A.	#	544056-201
	ATEX – Manufactured in Germany.....	#	544056-202
13	+ Gasket, Cover.....	#	013403-200
14	+ Nut, Castle, 3/4"-16, UNF-2B.....	2	643729-403
15	Nut, 1/4"-20 (ATEX version only).....	#	060060-001
16	O-Ring.....	#	641069-474
17	+ Pin, Cotter.....	2	006738-001
18	@2 Ring, Deflector:		
	Unidirectional (Stainless Steel).....	1	542279-201
	Bidirectional (Stainless Steel).....	2	543054-216
19	+ Rotor Assembly (265 pulses/bbl).....	1	544462-192
20	Bearing, Rotor.....	1	542280-200
21	Screw, Machine, #10-32 x 1/4".....	#	009544-401
22	Screw, Set, 1/4-20 x 1/4".....	#	645690-402
23	Shaft, Rotor.....	1	542278-201
24	Stator, Downstream.....	1	542273-112
25	Stator, Upstream:		
	Unidirectional.....	1	542272-212
	Bidirectional.....	1	542273-112
26	Stud (ATEX version only).....	#	550773-001
27	Washer, 1/4" Lock (ATEX version only).....	#	006621-001
28	Washer, Inverted Tag (ATEX version only).....	#	550770-001
29	+ Washer, Thrust.....	2	543851-216
30	Ground Wire (UL/CSA version only).....	#	544058-101
31	Screw, #10-32 x 1/4" (UL/CSA version only).....	#	006110-002

Item	Description	Qty.	Part Number
	Internal Parts Kits		
	Unidirectional.....		544616-103
	Bidirectional.....		544616-104

- + Recommended stock.
- # Order quantity required.

@1 Note 1: Consult Factory, (814) 898-5000, providing the following information:

1. Uni or Bidirectional	3. Flange Material	5. Flange Type
2. Housing Material	4. Flange Class (Pressure)	6. Number of Pickup Coils

@2 Note 2: Deflector ring material must be same as housing tube material.

P0592.04X has been made obsolete and replaced by publication number PO02019 (September 2013).

The specifications contained herein are subject to change without notice and any user of said specifications should verify from the manufacturer that the specifications are currently in effect. Otherwise, the manufacturer assumes no responsibility for the use of specifications which may have been changed and are no longer in effect.

TechnipFMC.com

© TechnipFMC plc. 2020 All rights reserved. PO02019 Issue/Rev. 0.0 (09/13)

TechnipFMC
13460 Lockwood Road
Building S01
Houston, Texas 77044 USA
P:+1 281.591.4000

USA Operation
1602 Wagner Avenue
Erie, Pennsylvania 16510 USA
P:+1 814.898.5000

Germany Operation
Smith Meter GmbH
Regentstrasse 1
25474 Ellerbek, Germany
P:+49 4101 304.0