



Haws®

AXION® MSR Corrosion Resistant Pedestal Eye/Face Wash

model 7777

FEATURES & BENEFITS

CONSTRUCTION

1-1/4" Type 304 Stainless Steel pipe and fittings along with cast finished stainless steel 9" (22.9 cm) diameter floor flange provide a superior defense in a highly corrosive environment.

VALVES

Type 316 Stainless Steel ball valve is designed to make the flushing of fluid occur with the simple push of a stainless steel flag, and is equipped with a stainless steel ball and stem to provide a superior protection against corrosion and breakage.

STRAINERS/FILTERS

Type 304 Stainless Steel in-line 50 x 50 mesh water strainer supplies added protection against corrosion and prevents debris from reaching the eye/face wash so the unit stays functioning at its best. Strainer is easily serviceable. Stainless steel dust cover protects eye/face wash head as well as bowl up until the last second before use further optimizing operation.

SAFETY

8" x 10-3/4" (20.3 x 27.3 cm) universal emergency sign make the unit easily detected in an emergency. Test card to record weekly checks helps maintain the units best working quality.

EYE/FACE WASH

AXION® MSR eye/face wash head uses an inverted directional laminar flow to sweep contaminants away from the vulnerable nasal cavity.

OPTIONS

- Thermostatic Mixing Valve: Model 9201EW AXION® Emergency Tempering Valve thermostatically mixes hot and cold water to provide a safe fluid supply for a single emergency eye/face wash, with a flow rate of 10 gpm (38.8 L).
- Dust Cover: Model 9102 is a stainless steel cover that protects the eyewash heads as well as the bowl. (Picture shows cover mounted to an eyewash.)
- Foot Treadle : Model SP220SS foot control assembly, including chain, clamp, nut, ring, screw, spring and stainless steel treadle.
- Thermostatic Mixing Valve: Model 9201EFE AXION® Emergency Tempering Valve thermostatically mixes hot and cold water to provide a safe fluid supply for a single emergency eye/face wash, with a flow rate of 12 gpm (38.8 L).

For more information, visit www.hawscos.com or call (888) 640-4297.



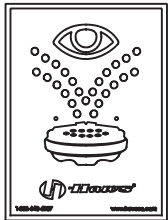
SPECIFICATIONS

Model 7777 stainless steel pedestal-mounted eye/face wash shall include a stainless steel 11" (27.9 cm) round bowl, an AXION® MSR eye/face wash head with inverted directional laminar flow which achieves Zero Vertical Velocity™ supplied by an integral 3.7 gpm flow control, Type 316 stainless steel ball valve equipped with stainless steel ball and stem, and Type 304 stainless steel in-line 50 x 50 mesh water strainer. Unit shall also include Type 304 pipe, fittings, and floor flange, along with a yellow plastic dust cover, universal sign, 1/2" NPT inlet, and 1-1/4" NPT waste.

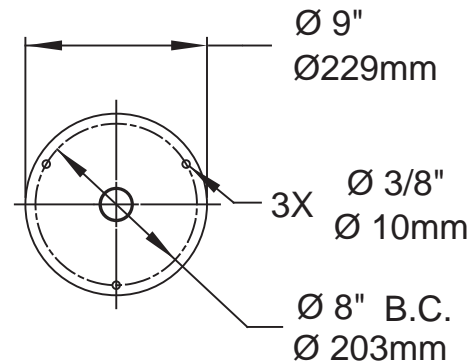
APPLICATIONS

In an environment where materials need to withstand the greatest corrosion, where eyes and face of any person may be exposed to these injurious or corrosive materials, suitable facilities for quick drenching or flushing of the eyes and face shall be provided within the work area for immediate emergency use. Emergency eye/face wash facilities shall be in unobstructed and accessible locations that require no more than 10 seconds for the injured person to reach. Model 7777 is certified by CSA to meet the ANSI Z358.1 Standard for Emergency Eyewash and Shower Equipment.

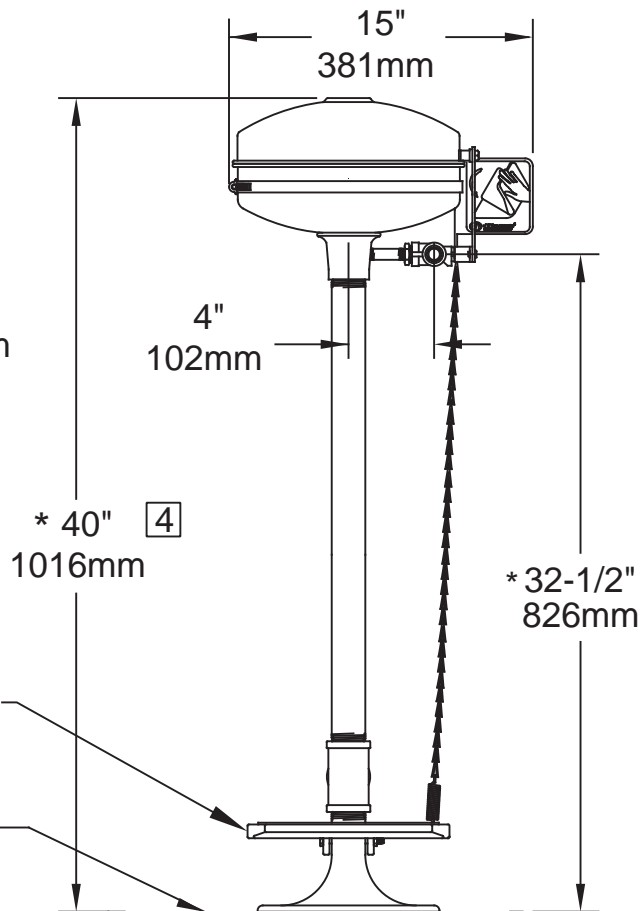




SIGN IS TO BE POSITIONED SUCH THAT IT IS VISIBLE WITHIN THE AREA SERVED BY THE EYEWASH

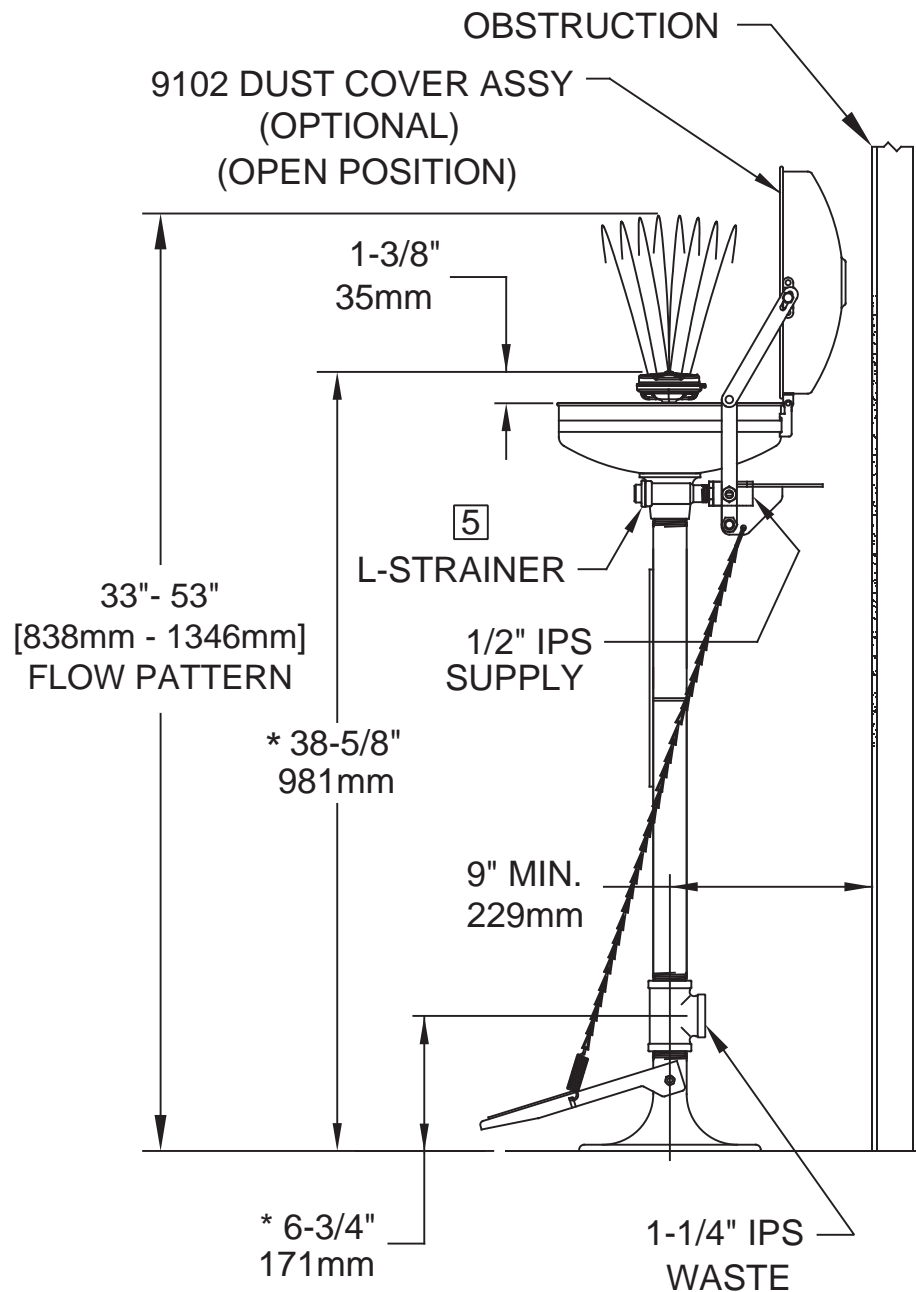


MOUNTING DETAIL



NOTES:

1. WHEN INSTALLING THIS UNIT, LOCAL, STATE, OR FEDERAL CODES SHOULD BE ADHERED TO FOR INSTALLATION DIMENSIONS (LOCATIONS), WASTE AND SUPPLY REQUIREMENTS OTHER THAN SHOWN.
2. TO COMPLY WITH ANSI Z358.1-2014 FOR EMERGENCY EYEWASH OR EYE/FACE WASH: EYEWASH OR EYE/FACE WASH SHALL BE POSITIONED SUCH THAT FLUSHING FLUID PATTERN IS NOT LESS THAN 33" (838mm) AND NO GREATER THAN 53" (1346mm) FROM SURFACE ON WHICH USER STANDS; AND 6.0" (153mm) MINIMUM FROM WALL OR NEAREST OBSTRUCTION.
3. CENTERLINE WASTE PLACED 9"[229mm] MIN FROM OBSTRUCTION.
4. DIM APPLIES WHEN OPTIONAL 9102 DUST COVER ASSEMBLY IS USED.
5. REMOVE 1/2" NPT PLUG TO GAIN ACCESS TO STRAINER FOR CLEANING. WHEN RE-ASSEMBLING STRAINER AND PLUG, MAKE SURE THAT STRAINER IS FULLY PRESSED INTO PLUG CAVITY, PRIOR TO THREADING PLUG INTO TEE.
6. * DIMENSIONS MAY VARY BY ±1/2" (13 mm).



1455 KLEPPE LANE
SPARKS, NEVADA 89431
(775) 359-4712 FAX (775) 359-7424
E-MAIL: HAWS@HAWS.CO.COM
WEBSITE: WWW.HAWS.CO.COM

ECN NO. REVISED PER BY:	ECN: 5530 FV	MODEL(S)		PART NUMBER	0002080102.D
DRAWN: CJL	DATE: 05/01	CHKD: DP	7777	REVISION	
APPROVED: NE	DATE: 03/27/20	SCALE: 1/10	DRAWING TYPE: INSTALLATION	SIZE: A	SHEET 1 OF 1