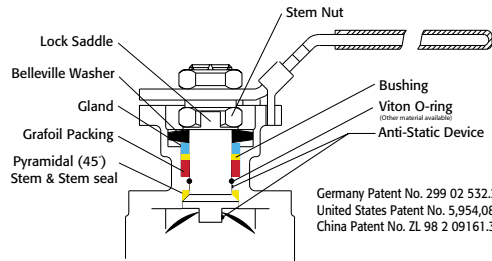


**API 607 - 4th Edition
CERTIFIED**



Triac F88 Series Firesafe Ball Valves have successfully passed the API-607 4th edition test. They are available with 316SS or WCB body.



VALVE SIZE	VALVE Cv
1/4"	7
3/8"	8
1/2"	15
3/4"	40
1"	70
1-1/4"	110
1-1/2"	250
2"	430
2-1/2"	600
3"	1100
4"	2000

These high quality investment cast valves feature a fully machined bore. The superior live-loaded packing system is accomplished with Bellville washers, "V"- ring packing and a unique primary pyramidal stem seal. This advanced sealing system provides for protection against stem leaks experienced by ordinary ball valves.

Easy to Automate!

See automated data sheets for pre-sized assemblies



Pneumatic



Electric

TRIA[®]
CONTROLS

Series F88

FIRESAFE

3-Piece Design

Full Port 1500/2000 psi WOG
(by size)

Stainless or
Carbon Steel Body
Direct Mounting Pad
Threaded, Socket Weld
or Butt Weld
Sizes 1/4" - 4"

STANDARDS

ANSI B16.34, B16.25, B1.20.1, B16.11
API 6D, 598, 607
ISO 5211, 5209, 5752, 7/1, 261
MSS PS25, PS72
BS 5351, 6755-1, 6755-2



HOW TO ORDER MANUAL VALVES

SAMPLE PART #

F88C-TH-0200-XXX

Firesafe
Valve Series
Carbon Steel
Threaded Ends
Valve Size
Seat Material
Special Designation
Additional Special Designation

See part number matrix for itemized options

A-T Controls, Inc.

Triac Division
11363 Deerfield Rd.
Cincinnati, Ohio 45242

PHONE (513) 247-5465
FAX (513) 247-5462
e-mail: sales@a-tcontrols.com
www.a-tcontrols.com

Series F88

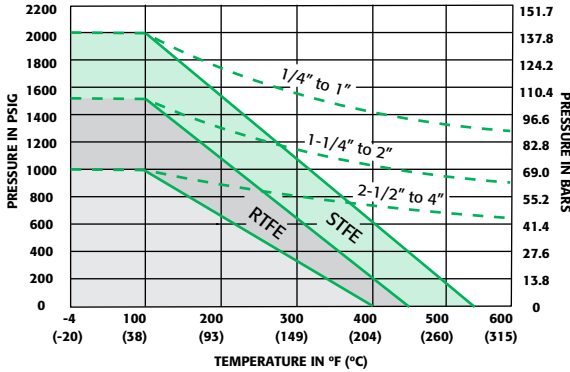
High Performance,
Full Port
3-Piece Ball Valve
ISO 5211 Direct Mount

1500/2000 psi WOG
(by size)
1/4" to 4"

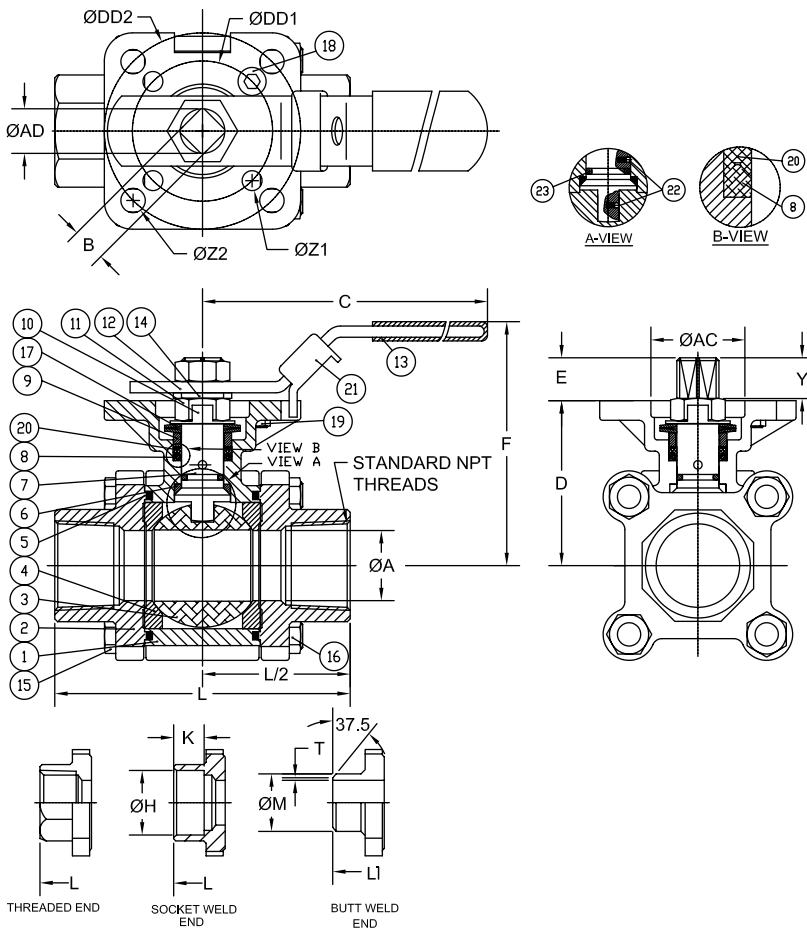
API 607 - 4th Edition
CERTIFIED

"Firesafe"

Pressure vs. Temperature Chart
for Valve 1/4" to 4"



NOTE: Dotted line shows the rating for valve body. Solid line shows the rating for valve seat. Both ratings need to be considered when determining the limitation of the valve for specific application. Consult factory for other seat materials



BREAKAWAY TORQUES RTFE SEATS

1/4"	75
3/8"	75
1/2"	80
3/4"	110
1"	150
1-1/4"	225
1-1/2"	320
2"	460
2-1/2"	610
3"	1000
4"	1600

NOTE: For other seat material, consult factory

MATERIALS LIST

NO.	PART NAME	QTY.	MATERIAL	
			Stainless Steel	Carbon Steel
1	Body	1	CF8M	WCB
2	End Cap	2	CF8M	WCB
3	Ball	1	SS316	SS316
4	Seat	2	RTFE	RTFE
5	Joint Gasket	2	Graphite	Graphite
6	Stem Seals	1	RTFE	RTFE
7	Stem	1	SS316	SS316
8	Gland Packing	2	Graphite	Graphite
9	Gland Bush	1	SS304	SS304
10	Lock Saddle	1	SS304	SS304
11	Stem Nut	2	SS304	SS304
12	Handle	1	SS304	SS304
13	Handle Sleeve	1	Vinyl	Vinyl
14	Stem Washer	1	SS304	SS304
15	Bolt	*	SS304	SS304
16	Bolt Nut	*	SS304	SS304
17	Belleville Washer	2	SS301	SS301
18	Stop Bolt & Nut	1	SS304	SS304
19	Pin Nut	1	SS304	SS304
20	Bushing	1	RTFE	RTFE
21	Locking Device	1	SS304	SS304
22	Anti-Static Device	2	SS304	SS304
23	O-Ring	1	Viton®	Viton®

* 1/4" - 1-1/2", 4 pcs.
* 2" - 4", 6 pcs.

DIMENSIONS (IN)

SIZE	ØA	B	C	D	E	F	H	K	L	LI	M	T	Y	AC	AD	DD1	DD2	ØZ2	ØZ1	(LBS)	ISO5211
1/4"	0.45	0.354	5.47	1.66	0.25	3.00	0.55	0.39	2.95	2.95	0.85	0.13	0.25	1.04	0.44	1.654	1.969	0.28	0.28	1.6	F04/F05
3/8"	0.50	0.354	5.47	1.66	0.25	3.00	0.69	0.39	2.95	2.95	0.85	0.11	0.25	1.04	0.44	1.654	1.969	0.28	0.28	1.6	F04/F05
1/2"	0.59	0.354	5.47	1.66	0.25	3.00	0.85	0.39	2.85	2.95	0.85	0.06	0.25	1.07	0.44	1.654	1.969	0.28	0.28	2.0	F04/F05
3/4"	0.79	0.354	5.47	1.83	0.33	3.20	1.07	0.51	3.36	3.54	1.07	0.06	0.33	1.07	0.44	1.969	2.756	0.34	0.28	3.0	F05/F07
1"	0.98	0.433	6.50	2.31	0.41	3.86	1.34	0.51	4.15	4.33	1.34	0.06	0.41	1.34	0.56	1.969	2.756	0.34	0.28	4.5	F05/F07
1-1/4"	1.26	0.433	6.50	2.46	0.41	4.00	1.69	0.51	4.37	4.53	1.68	0.06	0.41	1.34	0.56	1.969	2.756	0.34	0.28	6.0	F05/F07
1-1/2"	1.50	0.551	8.46	3.11	0.53	5.04	1.92	0.51	5.01	5.12	1.91	0.06	0.53	1.54	0.74	1.969	2.756	0.34	0.28	10.0	F05/F07
2"	1.97	0.551	8.46	3.42	0.53	5.35	2.40	0.63	5.62	5.62	2.38	0.06	0.53	1.54	0.74	1.969	2.756	0.35	0.30	13.0	F05/F07
2-1/2"	2.56	0.748	10.31	4.28	0.66	6.60	2.89	0.63	7.28	7.28	3.00	N/A	0.66	2.09	0.94	2.756	4.016	0.47	0.39	26.0	F07/F10
3"	3.15	0.748	10.31	4.63	0.70	6.96	3.54	0.63	8.07	8.07	3.54	N/A	0.70	2.09	0.94	2.756	4.016	0.47	0.39	34.0	F07/F10
4"	3.94	0.748	12.28	5.26	0.66	7.59	4.54	0.79	9.45	9.45	4.57	N/A	0.66	2.09	0.94	2.756	4.016	0.47	0.39	52.0	F07/F10

Viton® is a registered trademark of E.I. DuPont de Nemours.

A-T Controls reserves the right to change product designs and technical/dimensional specifications without notice.

050111-F88M

A-T Controls, Inc.

Triac Division
11363 Deerfield Rd.
Cincinnati, Ohio 45242

PHONE (513) 247-5465
FAX (513) 247-5462
e-mail: sales@a-tcontrols.com
www.a-tcontrols.com