

FEATURES

This product can be fitted into control panels. It comprises joinable subbases fitted with modules of electrical and pneumatic connections for the solenoid / air operated, monostable or bistable valves of the series 520.

GENERAL

Fluid Air or neutral gas, filtered, lubricated or not
Operating pressure 1,5 to 8 bar
Ambient temperature +5°C to +50°C
Orifice size 4 mm
Flow (Qv at 6 bar) 3/2 400 l/min (ANR) - Kv : 5,7
 5/2 - 5/3 600 l/min (ANR) - Kv : 8,5

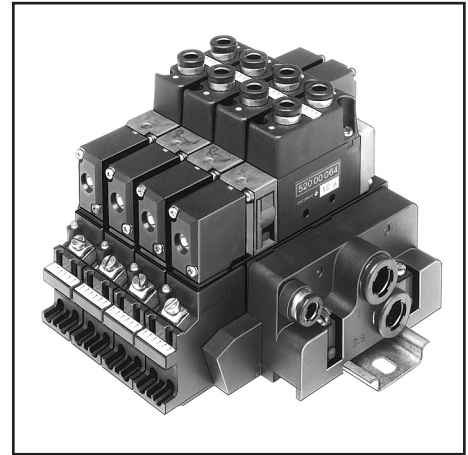
CONSTRUCTION

SPOOL VALVES

Body, cover POM (polyacetal)
Internal parts POM (polyacetal) and brass
Seals NBR (nitrile)
Manual operator Maintained, impulse
 Latchable in hold position (push-turn)

PILOT

Seals NBR (nitrile)
Electrical equipment Conforming to NF C79300 standard
Coil and iron circuit Encapsulated
Coil with 3 pins directed towards ports 1 and 3



ELECTRICAL CHARACTERISTICS

voltages		consumption	insulation class	protection degree	electrical connection
~	24V, 115V, 230V - 50/60Hz	2 VA (1,5 W)	F	IP 65	subbase with integrated connections. screw terminals. max. power : wire of section 0.75 mm ²
=	24V	1,6 W			

SPECIFICATIONS

function symbol	operators solenoid air operated pilot (14) return (12)	connections (ports 2 - 4)	catalogue number			
			24V ~	115V ~	230V ~	24V =
3/2 NC 	differential return	instant fittings	52000283	52000284	52000285	52000183
		tapped G 1/8	52000274	52000275	52000276	52000226
5/2 	spring return	instant fittings (1)	52000389 + 88135532	52000390 + 88135532	52000391 + 88135532	52000381 + 88135532
		tapped G 1/8	52000389	52000390	52000391	52000381
	differential return	instant fittings (1)	52000062 + 88135532	52000064 + 88135532	52000065 + 88135532	52000063 + 88135532
		tapped G 1/8	52000062	52000064	52000065	52000063
	solenoid air return	instant fittings (1)	52000067 + 88135532	52000068 + 88135532	52000069 + 88135532	52000066 + 88135532
		tapped G 1/8	52000067	52000068	52000069	52000066

(1) In your order of 520 **5/2 with instant fittings**, please specify quantity and code of tapped version + quantity and code of pneumatic connection flange, code : **88135532**

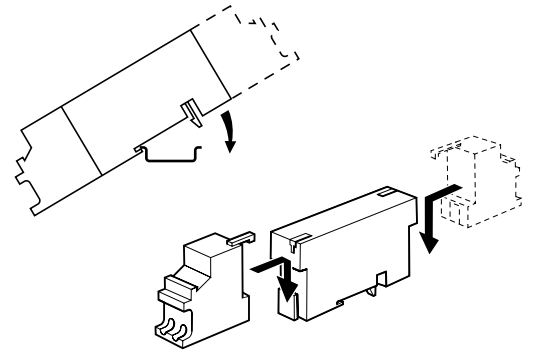
Possibility to mounting other spool valves :

- **3/2 NO** version (operating pressure 2,5 to 8 bar) on request
- **5/3** version, consult us

SUBBASES : see overleaf.

MODULAR CONSTRUCTION AND RAPID INSTALLATION

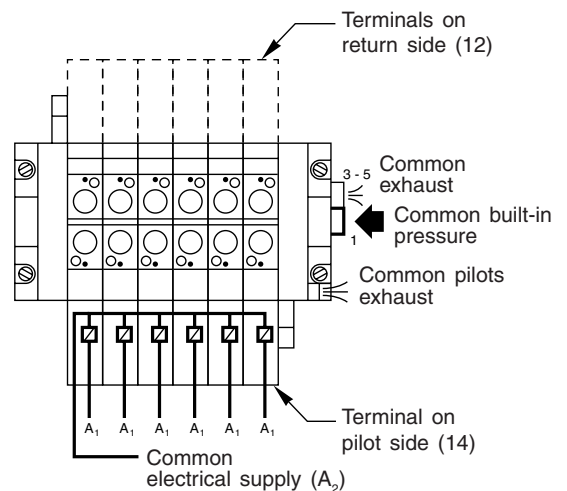
- **Modularity of assembly :** The subbases connect together to build up a compact assembly with a width of each base standardised at 19 mm.
The assembly can be fitted on to symetrical rail 35 x 15 to EN 50022-DIN.
Each subbase includes adjustable modules of electrical connections (on sides 12, 14) in order to connect directly solenoid valves and the built-in common electrical supply.
Joinable subbases also include the inter-connections of the common pneumatic piping : pressure supply (1), exhausts (3, 5) and pilots exhaust.
- **Modularity of functions :** The equipment can be equipped with either solenoid or air operated, monostable or bistable valves.



SIMPLIFIED CONNECTIONS

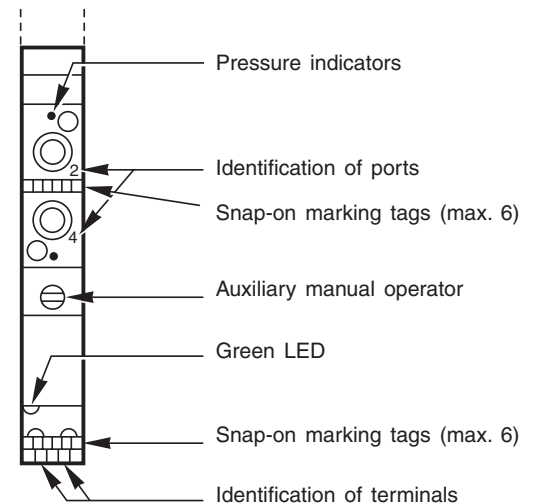
No auxiliary electrical accessory nor any pneumatic connection is required.

- **Electrical connections :**
 - 1 wire to connect for each interface.
 - 1 built-in common supply.
 - 1 earth connection.
- **Pneumatic connections :**
 - All the ports are fitted with instant fittings for flexible tubes.
 - 1 common pressure port and one common exhaust port (3, 5) built-in which can be piped to either the left or to the right hand side.
 - 2 tubes to connect on ports (2, 4) either with instant fitting flanges or directly on tapped G 1/8.
 - 1 common exhaust of pilots 12, 14.



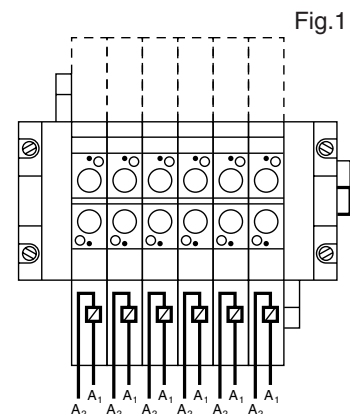
REDUCED MAINTENANCE AND SIMPLE FAULT FINDING

- Visual indication of the electrical input by LED with built-in protection by varistor.
- Pressure indicator of the pneumatic output on ports (2, 4), allowing simple fault diagnostic.
- Auxiliary manual override easily accessible on each pilot. This impulse model is latchable (push-turn).
- Marking tags on flanges and module.
- Identification of the electrical terminals.
- Identification of the pneumatic ports.
- Standard labelling.
- Due to the fact that the subbase has no working components, the valves can be removed from an assembly without affecting the wiring or piping.



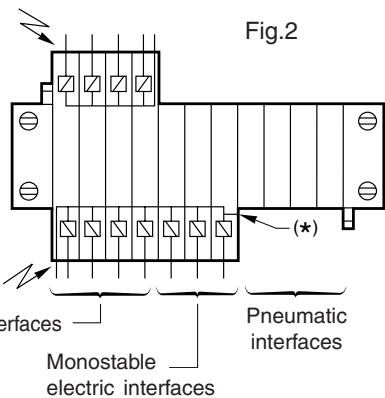
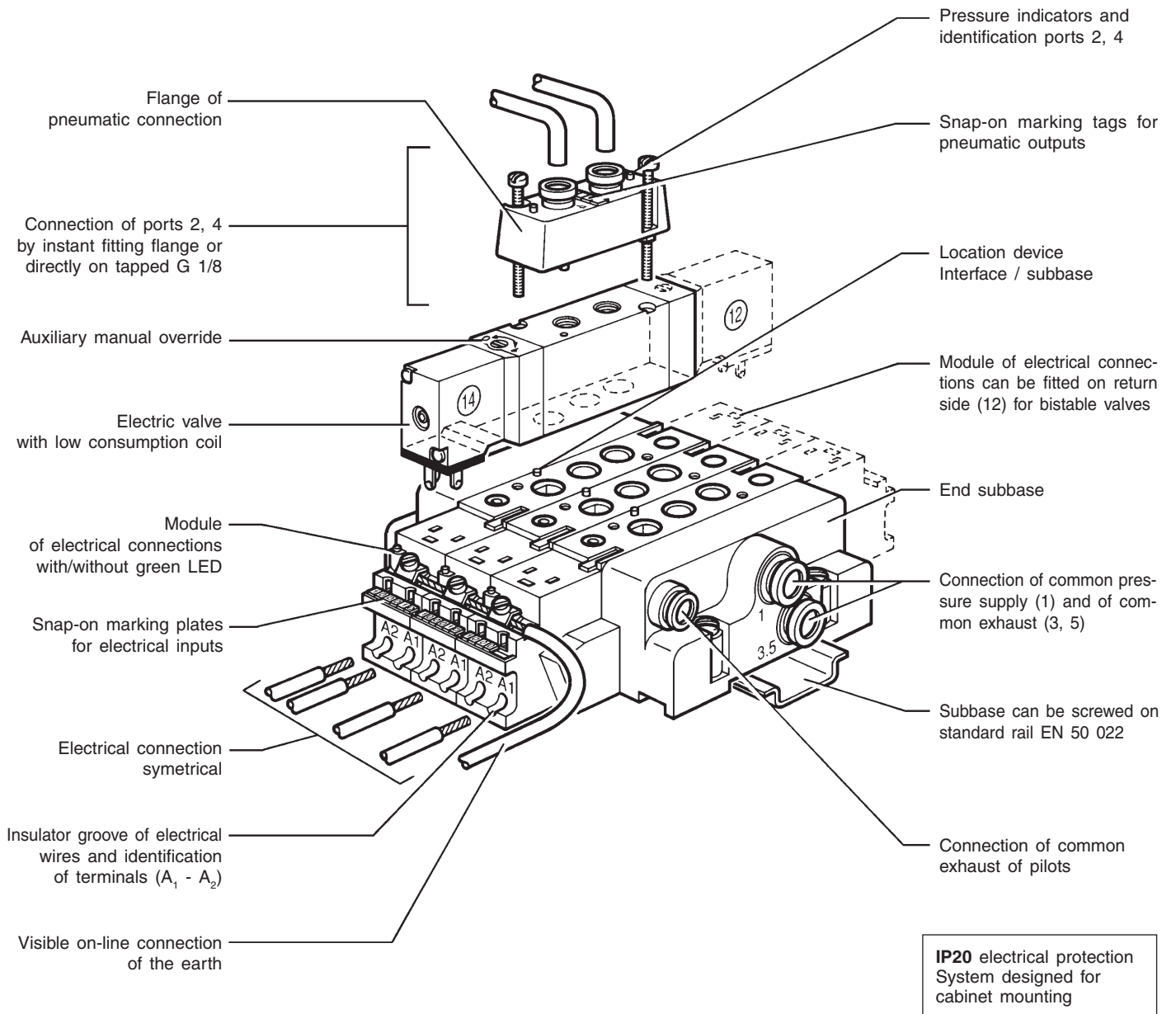
OTHER CONNECTION POSSIBILITIES

- **Electrical connections :**
 - The integral electrical common supply can be removed by changing the tag so that a different supply voltage can be used on each module (Fig.1).
 - Solenoid or air operated, monostable or bistable valves can be mounted on the same subbase system without affecting the electrical supply common (see Fig. 2).
 - Standard common electrical supply available (with connector(s) size 15).
- **Pneumatic connections :**
 - Different supply pressure can be used by building in a separate plug 88135515 into the assembly.
 - Using 3 plugs within the common built-in pressure supply together with the 2 exhaust pipes allows isolation of 2 side by side valves.
 - Mounting of valves 5/3 : consult us.

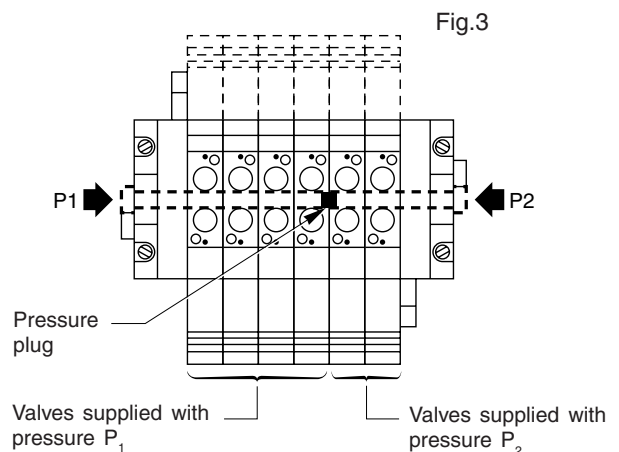


00442GB-2007/R01 Availability, design and specifications are subject to change without notice. All rights reserved.

E



(*) In this implementation, remove the last tag from the common supply.




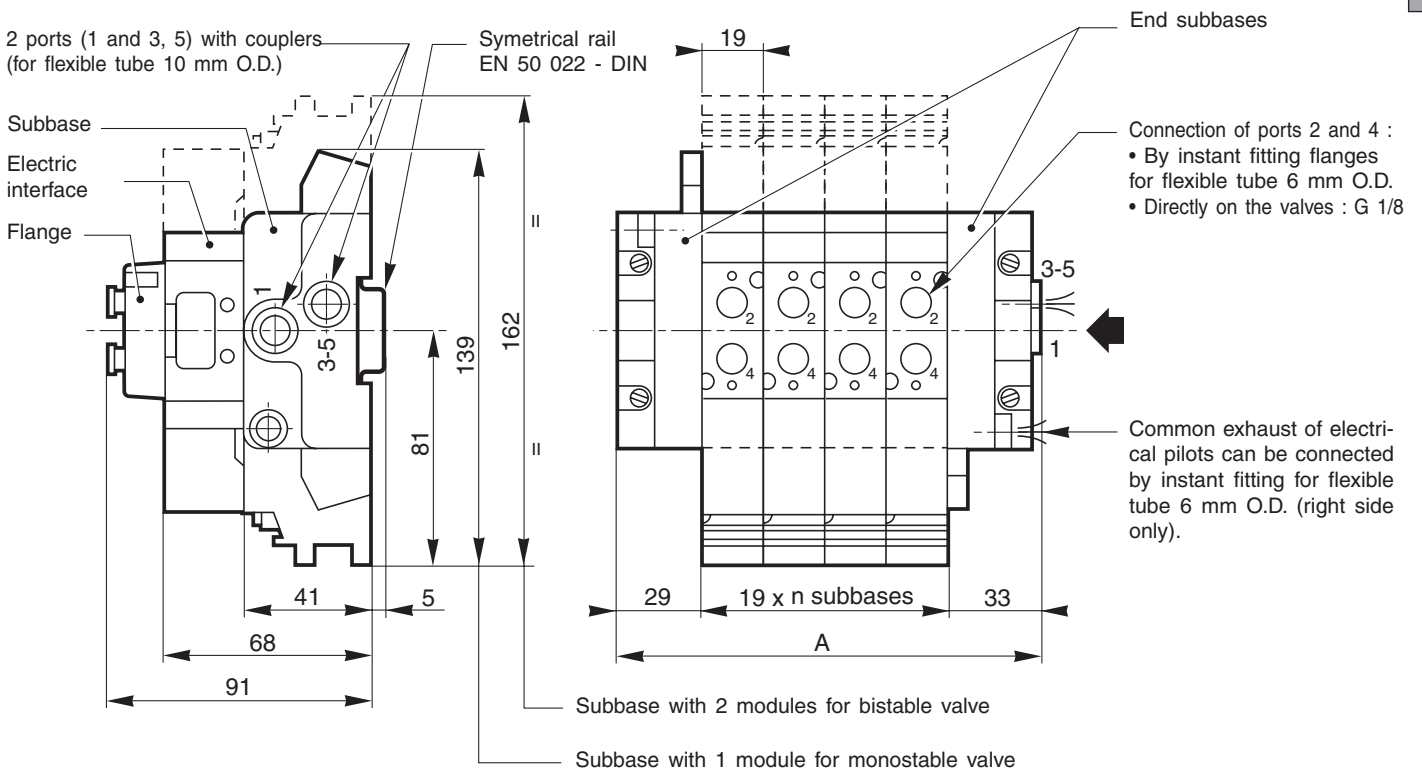
SPECIFICATION SUBBASES AND ACCESSORIES

description	cat. number	
joinable subbase for mini valve series 520	35500206	
set of two end subbases for one-side connection, with couplers (for 10 mm O.D. tube)	35500216	
set of two end subbases for two-side connection, with couplers (for 10 mm O.D. tube)	35500209	
module of electrical connection with LED and varistor	24V =/~	88100077
	115V~	88100078
	230V~	88100079
module of electrical connection without LED nor varistor	88100076	
connecting flange for ports 2, 4 with pressure indicators and instant fitting (for 6 mm O.D. tube)	88135532	
plug for 2 different pressure inputs on subbases	88135515	
blanking plate for subbase mounting face	88135516	
set of marking tags :	88100084	
numbers 0 to 9, 10 times each		
letters A to Z, 10 times each		
marks + and —, 10 times each		

ASSEMBLY

- Up to 10 interfaces can be mounted with **one side** supply (right side) : use the set of end subbases **35500216**
- Over 10 interfaces, the common pressure supply is on **both sides** : use the set of end subbases **35500209**.
- Max. allowable number of joinable interfaces = 20.
- A maximum number of 5 interfaces can work simultaneously.
- Pressure supply may be connected on either left or right side or on both side ; **2 supplies of different pressures may be connected fitting end subbases 35500209.**

DIMENSIONS (mm), WEIGHT (kg) 



weight	
subbase	0,035
2 end subbases	0,190
module of electrical connection	0,030
monostable valve	0,095
bistable valve	0,135
pneumatic connection valve	0,020

number of subbases	3	4	5	6	7	8	9	10
A	119	138	157	176	195	214	233	252

00442GB-2007/R02 Availability, design and specifications are subject to change without notice. All rights reserved.

E

