



model AX15

AXION Advantage® Upgrade Kit

FEATURES & BENEFITS

OPTIONS

For more information, visit www.hawsc.com or call (888) 640-4297.



SPECIFICATIONS

The Haws AX15 AXION Advantage® eye/face wash system is designed to replace outdated, under-performing or in some cases, non-conforming installed emergency eyewashes with the medically superior AXION® MSR performance. This revolutionary inverted flow design is the only product on the market that provides a Medically Superior Response consistent with all EMT, emergency room and doctors' office protocols by sweeping contaminants away from the vulnerable nasal cavity. Traditional eyewashes irrigate from the outside edge of the eye back toward the nose, where contaminants can then be flushed into the nasal cavity through the lacrimal punctum, nature's ocular cavity drain. Eyewash streams provide Zero Vertical Velocity™ stream engineering with even laminar flow for enhanced comfort, stability and effectiveness. System includes the AXION MSR eye/face wash head, the necessary connecting hardware, along with a tape measure, eyewash measuring gauge and written guidelines to assure installation complies with the ANSI Z358.1 standard.

APPLICATIONS

For use with most Bradley Halo models.

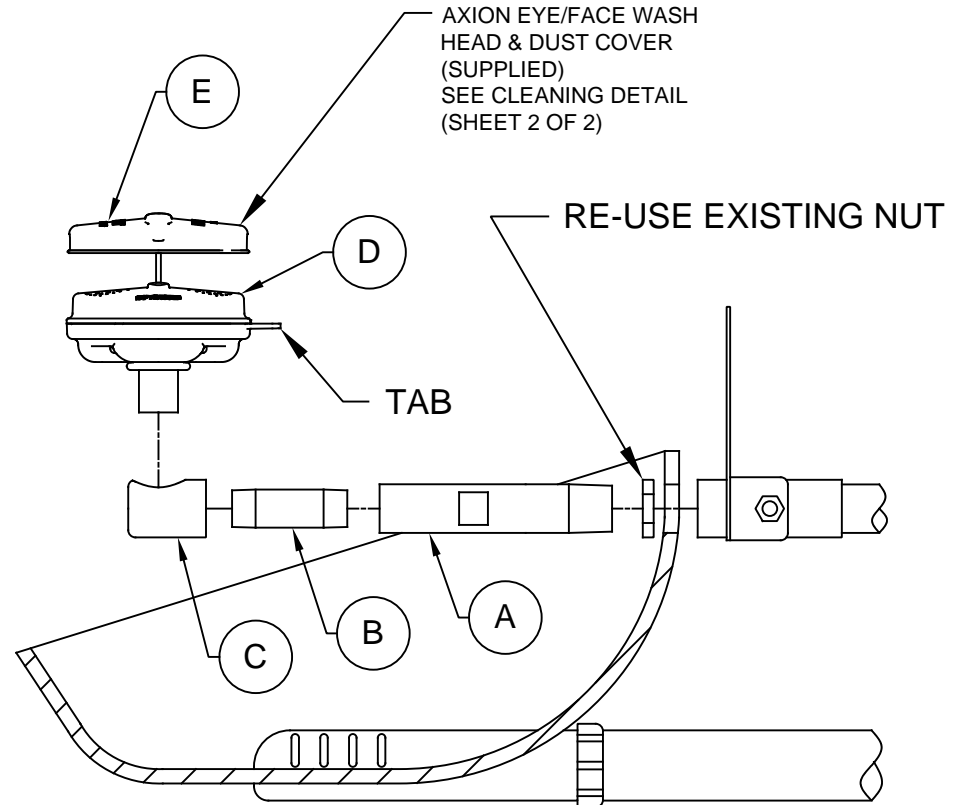
TO UPGRADE BRADLEY HALO UNITS

NOTES:

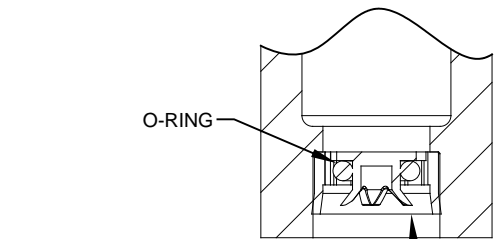
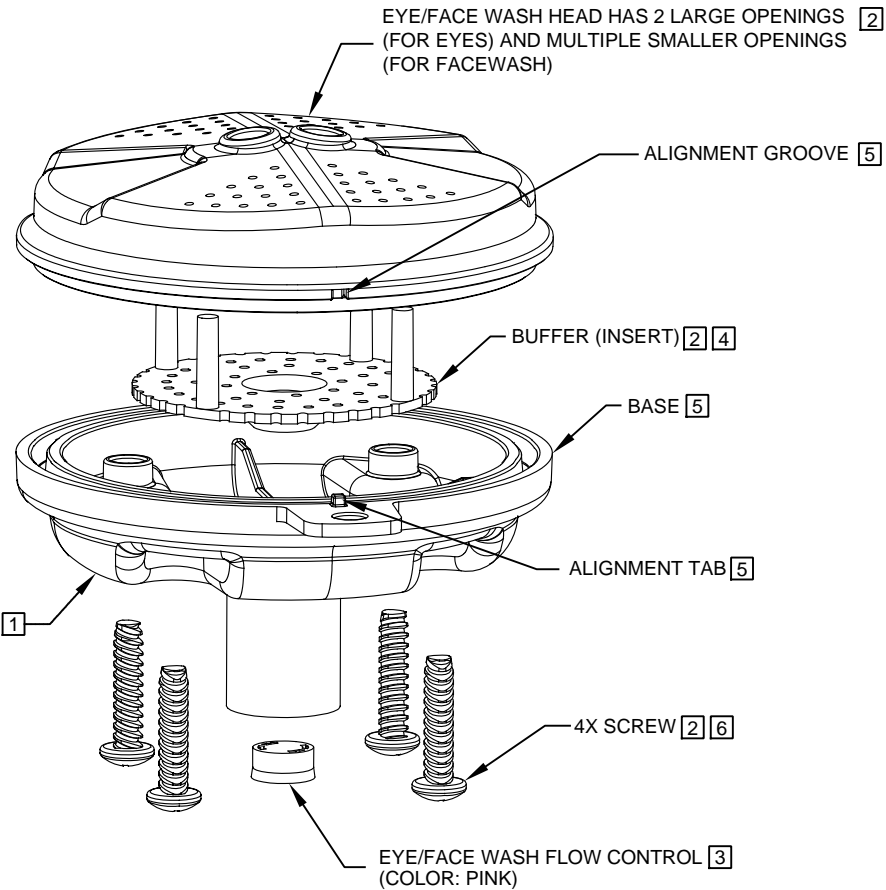
NOT FOR USE ON ANY FREEZE RESISTANT UNITS.
NOTE CORRESPONDING LETTERS ON PARTS BREAKDOWN DRAWING.
IF EXISTING UNIT INCLUDES HALO DUST COVER, THE DUST COVER SHOULD BE REMOVED FROM THE ACTUATOR PADDLE (4 SCREWS AND NUTS WITH 7/16" FLATS) PRIOR TO INSTALLATION OF HAWS AX15 RETROFIT KIT.

INSTALLATION INSTRUCTIONS:

1. REMOVE EXISTING BRADLEY HALO EYE/FACE-WASH HEAD.
 - A. USE 5/16" HEX WRENCH TO REMOVE PLUG FROM END OF HEAD.
 - B. REMOVE HEAD BY PULLING GENTLY OUTWARD.
 - C. LOOSEN LOCK NUT AT THE BASIN WITH A 1" OR ADJUSTABLE WRENCH.
 - D. REMOVE FEED TUBE FROM VALVE WITH ADJUSTABLE WRENCH.
 - E. RETAIN LOCK NUT FOR USE WITH HAWS AX15 KIT.
2. FLUSH SYSTEM TO REMOVE LINE DEBRIS PRIOR TO INSTALLING AX15 COMPONENTS.
3. INSTALL EXISTING LOCK NUT ON FEED TUBE ADAPTER (ITEM A).
4. INSERT FEED TUBE ADAPTER (ITEM A) THROUGH HOLE IN BASIN AND THREAD INTO VALVE HAND TIGHT ONLY.
5. THREAD NIPPLE (ITEM B) INTO THE FEED TUBE ADAPTER (ITEM A) HAND TIGHT ONLY.
6. THREAD ELBOW (ITEM C) ONTO THE NIPPLE (ITEM B). TIGHTEN AS REQUIRED TO GET ELBOW OUTLET FACING VERTICALLY UPWARD. ADJUSTABLE WRENCH MAY BE USED ON ELBOW AND/OR FLATS ON FEED TUBE.
7. PLACE LOOP OF DUST COVER (ITEM E) OVER SHANK OF AXION EYE/FACE-WASH HEAD (ITEM D) AND THREAD AXION EYE/FACE-WASH HEAD INTO ELBOW (ITEM C) AS SHOWN.
8. ORIENT TAB (SEE SHEET 2 OF 2) ON AXION EYE/FACE WASH TOWARDS THE BACK (AWAY FROM USER). DO NOT OVER-TIGHTEN.
9. GENTLY TIGHTEN LOCK NUT ON FEED TUBE ADAPTER AGAINST BASIN.
10. FULLY TEST UNIT AND CHECK FOR ANSI COMPLIANCE USING ENCLOSED CHECKLIST AFTER UPGRADING THE INSTALLATION.

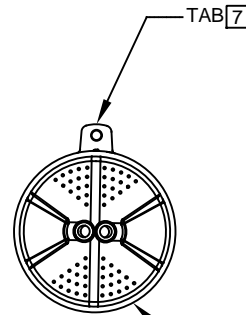


		1455 KLEPPE LANE SPARKS, NEVADA 89431 (775) 359-4712 FAX (775) 359-7424 E-MAIL: HAWS@HAWS.CO.COM WEBSITE: WWW.HAWS.CO.COM			
ECN NO. 5507	REVISED PER BY: ECN: 5507	MODEL(S)	AX15	PART NUMBER	0580000998.D
DRAWN: DP	DATE: 11/02/2020	CHK'D: FV		REVISION	1
APPROVED: JL	DATE: 01/20/20	SCALE: 1:1	DRAWING TYPE: INSTALLATION	SIZE: A	SHEET 1 OF 2



FLOW CONTROL SHOWN IN PLACE
NOTE: PRESS FLOW CONTROL IN
UNTIL IT BOTTOMS OUT

3 DETAIL A

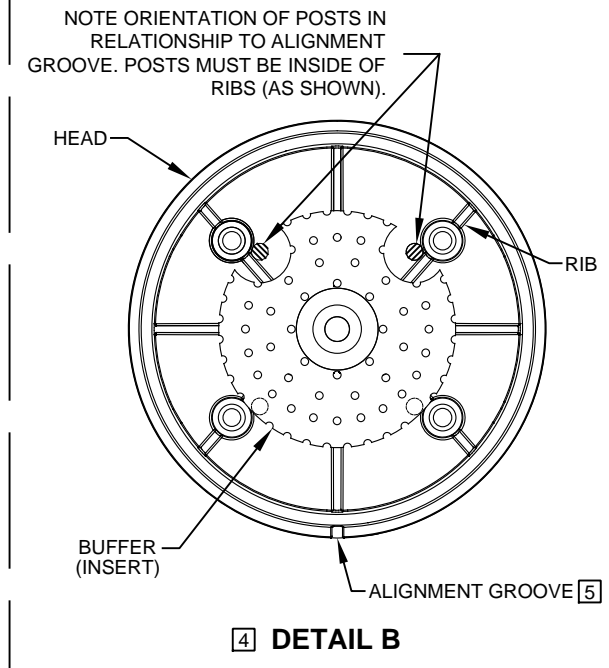


EYE/FACE WASH
SHOWN WITHOUT
DUST COVER 8

AXION EYE/FACE WASH CLEANING DETAIL

FLOW CONTROL CLEANING STEPS:

- 1 UNSCREW EYE/FACE WASH ASSEMBLY FROM ADAPTER (NOT SHOWN).
- 2 REMOVE SCREWS (QTY. 4) FROM EYE/FACE WASH ASSEMBLY. REMOVE EYE/FACE WASH HEAD AND BUFFER (INSERT).
- 3 REMOVE EXISTING FLOW CONTROL FROM BASE BY PUSHING IT OUT FROM THE TOP, AND CAREFULLY REMOVE ANY DEBRIS LODGED BETWEEN O-RING AND HOUSING OR OPENINGS. ALSO, CHECK FOR ANY SEDIMENT OR MINERAL DEPOSITS BLOCKING OPENINGS. EXERCISE CAUTION NOT TO DAMAGE OR LOSE O-RING IN THE PROCESS. ALL OPENINGS ON FLOW CONTROL MUST BE FREE AND CLEAR OF ANY OBSTRUCTIONS FOR FLOW CONTROL TO FUNCTION PROPERLY. REINSTALL FLOW CONTROL. SEE **DETAIL A** FOR ORIENTATION.
- 4 INSERT BUFFER (INSERT) INTO EYE/FACE WASH HEAD NOTING ORIENTATION OF POST IN RELATIONSHIP TO ALIGNMENT GROOVE AS SHOWN ON **DETAIL B**.
- 5 REASSEMBLE EYE/FACE WASH HEAD, MAKING SURE THAT ALIGNMENT GROOVE ON EYE/FACE WASH HEAD LINES UP WITH ALIGNMENT TAB ON BASE.
- 6 REINSTALL SCREWS (QTY. 4) INTO THE EYE/FACE WASH ASSEMBLY. TIGHTEN SNUG TO ENSURE A WATERTIGHT SEAL. DO NOT OVER-TIGHTEN. TORQUE SPEC: 4 IN. LBS. MAX
- 7 REASSEMBLE EYE/FACE WASH ASSEMBLY ONTO ADAPTER (NOT SHOWN). ORIENT TAB TOWARDS THE BACK (AWAY FROM USER). DO NOT OVER-TIGHTEN.
- 8 PLACE DUST COVER (NOT SHOWN) ONTO EYE/FACE WASH.



Haws

1455 KLEPPE LANE
SPARKS, NEVADA 89431
(775) 359-4712 FAX (775) 359-7424
E-MAIL: HAWS@HAWS.CO.COM
WEBSITE: WWW.HAWS.CO.COM

ECN NO. 5507	REVISED PER BY: ECN: 5507	MODEL(S) AX15	PART NUMBER 0580000998.D
DRAWN: FV	DATE: 01/09/20	CHK'D.: FV	REVISION 1
APPROVED: JL	DATE: 01/20/20	SCALE: N/A	DRAWING TYPE: INSTALLATION
		SIZE: A	SHEET 2 OF 2