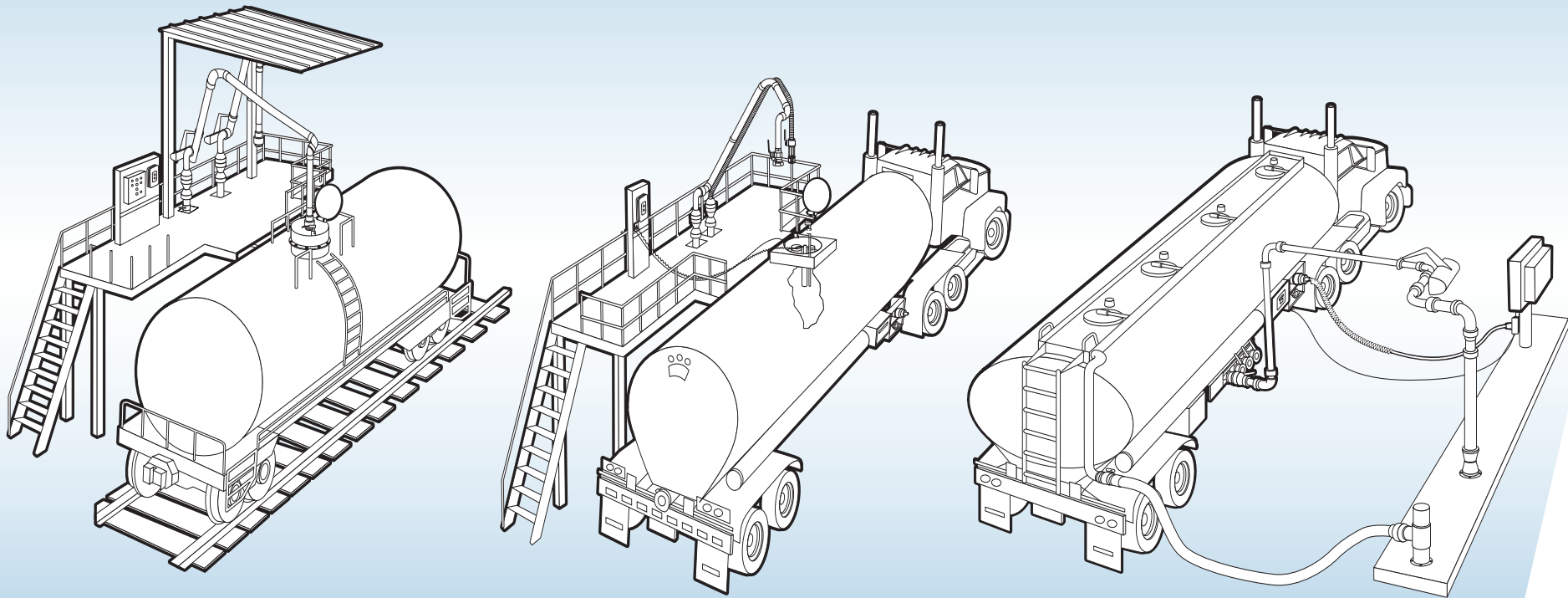


# RACK EQUIPMENT SALES GUIDE



## TOP OR BOTTOM-LOADING OVERFILL/GROUNDING EQUIPMENT

## Overfill Protection While Top-Loading Railcar or Tank Truck



8130-120 or 8130-240



BCU-2



1300HS-3062C



1300KMLS-3062C



1400RHS-3060L



1400RKMLS-3060L

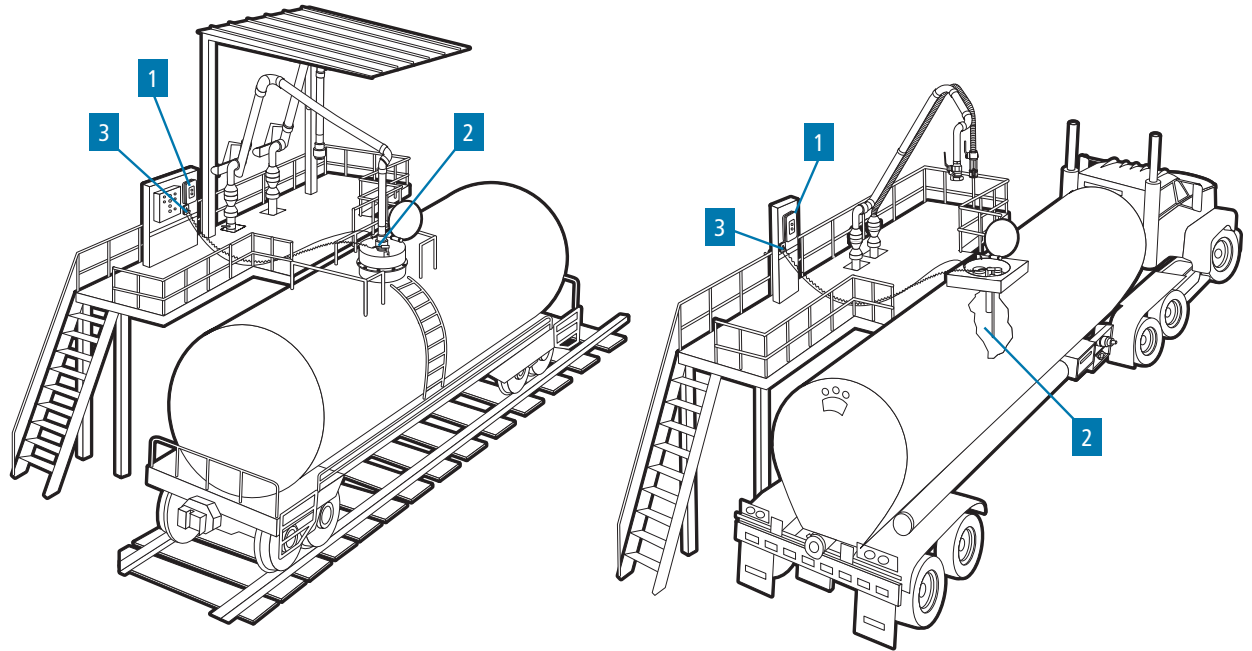
SS Probe Tip  
Shown



7540-7540

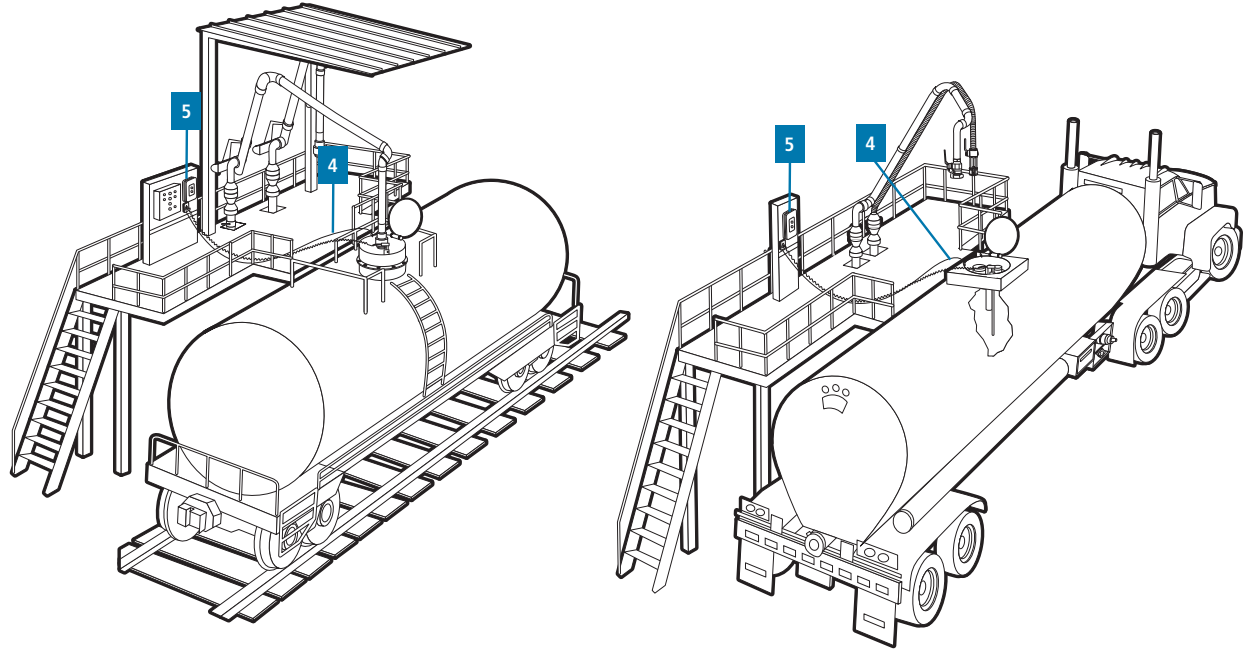


7540-8x30



Products	Product #	Description
1 RACK MONITOR	8130-120 or 8130-240	Optic Rack Monitor with Ground Verification, Red/Green Indicator Lights. Available in 120 or 240 Volt
	BCU-2	Bypass Control Unit for 8150 Optic Rack Monitor (7560-7560 or 7540-8x30 Junction Box required)
2 CANE PROBE (Select 1)	1300HS-3062C	Optic Cane Probe (Aluminum) 62" standard length with universal clamp, 30' coiled cord and 7-pin plug
	1300KMLS-3062C	Optic Cane Probe (Aluminum) 62" standard length with Kamlok Coupler, 30' coiled cord and 7-pin plug
	1400RHS-3060L	Optic Cane Probe (Stainless Steel) 60" standard length with universal clamp, 30' coiled cord and 7-pin plug
	1400RKMLS-3060L	Optic Cane Probe (Stainless Steel) 60" standard length with Kamlok Coupler, 30' coiled cord and 7-pin plug
3 JUNCTION BOX	7540-7540	Junction Box with 7-pin socket for Cane Probes or Breakaway Optic Plug & Cord Set
	7540-8X30	Junction Box with 7-pin socket for Breakaway Optic Plug and Cord Set. Includes bypass connection for 8130 Optic Rack Monitor (Does not include BCU-2)

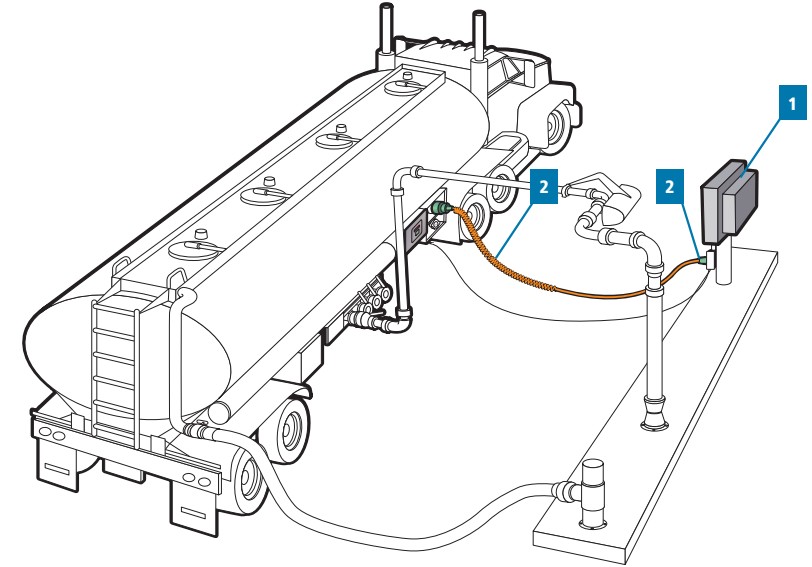
## Ground-Verification Connections while Top-Loading Railcar or Tank Truck



Products	Product #	Description
4 GROUNDING CABLE & CLAMP*	7720-7720	Ground Verification Clamp with 40' straight cord
	7720-COIL	Ground Verification Clamp with 30' coiled cord
	7790-7790	Ground Verification Clamp with 40' straight cord and 7500-7500 Junction Box
	7790-COIL	Ground Verification Clamp with 30' coiled cord and 7500-7500 Junction Box
	7620-7620	Ground Verification Plug & Cord Set for dual ball application with 30' straight cord
	7620-COIL	Ground Verification Plug & Cord Set for dual ball application with 30' coiled cord
	7690-7690	Ground Verification Plug & Cord Set for dual ball application with 30' straight cord and 7500-7500 Junction Box
	7690-COIL	Ground Verification Plug & Cord Set for dual ball application with 30' coiled cord and 7500-7500 Junction Box

\*For use with 8130-XXX or 8030-XXX Monitors

## Bottom-Loading Truck Opti/Therm Rack System (Typical Eastern US & Eastern Canada)



Products	Product #	Description
1 RACK MONITOR	RM140W	Opti/Therm Rack Monitor with Ground Verification, up to (8) 2-wire or (12) 5-wire Probes, Keyed Bypass, Multiple Outputs
	7300-7300	Thermistor Plug with 30' 10-conductor coiled cord
	7390S-0020	7300-7300 Thermistor Plug with 30' 10-conductor coiled cord and 7500-7500 Junction Box
	7100-7100	Optic Plug with 30' 10-conductor coiled cord
	7190S-0020	7100-7100 Optic Plug with 30' coiled cord and 7500-7500 Junction Box
2 PLUG & CORD SETS (Select Thermistor or Optic or both)	7391S-0020-5	7120-7120 Optic Breakaway Plug with 30' coiled cord and 7540-7540 breakaway Junction Box
	7320-7320	Thermistor Plug with 30' 10-conductor coiled cord and 13-pin breakaway plug
	7391S-0020-7	7320-7320 Thermistor Breakaway Plug with 30' 10 conductor coiled cord, 13-pin breakaway plug and 7510T-7510 Junction Box
	7120-7120	Optic Plug with 30' 10-conductor coiled cord and 7-pin breakaway plug
	7300C-7300	Thermistor Plug with 30' 10-conductor coiled cord (Canada only)

## Bottom-Loading Optic-Only Rack Systems (Typical Western US & Western Canada)



8130-120 or 8130-240



BCU-2



7100-7100



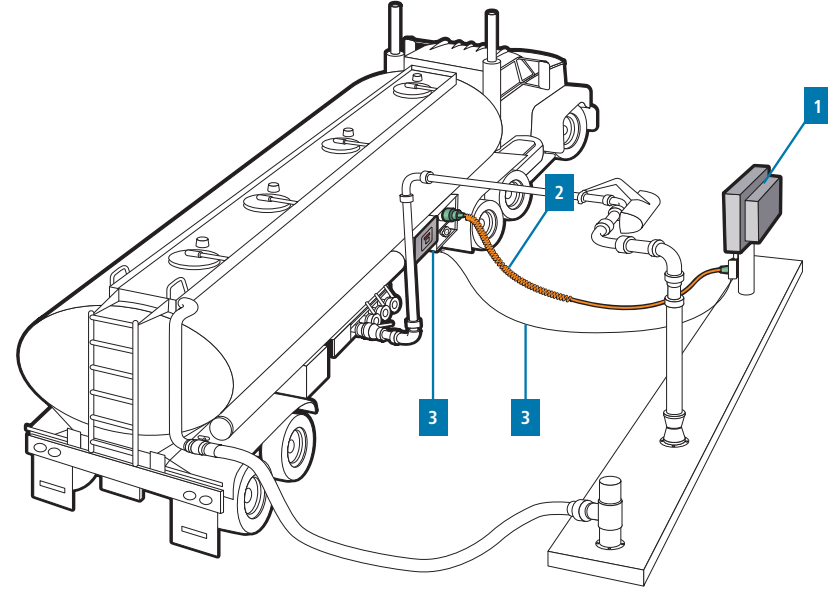
7190S-0020  
and 7560-7560  
Junction Box



7320-7320



7191S-0020



Products	Product #	Description
1 RACK MONITOR	8130-120 or 8130-240	Optic Rack Monitor with Ground Verification, Red/Green Indicator Lights. Available in 120 or 240 Volt
	BCU-2	Bypass Control Unit for 8150 Optic Rack Monitor (7560-7560 or 7540-8x30 Junction Box required)
2 PLUG & CORD SETS	7100-7100	Optic Plug with 30' 10-conductor coiled cord
	7190S-0020 and 7560-7560 Junction Box	7100-7100 Optic Plug with 30' coiled cord and 7560-7560 Junction Box
	7320-7320	Thermistor with 30' 10-conductor coiled cord and 7-pin breakaway plug
	7191S-0020	7320-7320 Thermistor Breakaway Plug with 30' coiled cord and 7560-7560 breakaway Junction Box

## Bottom-Loading Truck Optional Ground Connections (Typical Eastern or Western Systems)



7720-7720

7720-COIL

7790-7790

7790-COIL

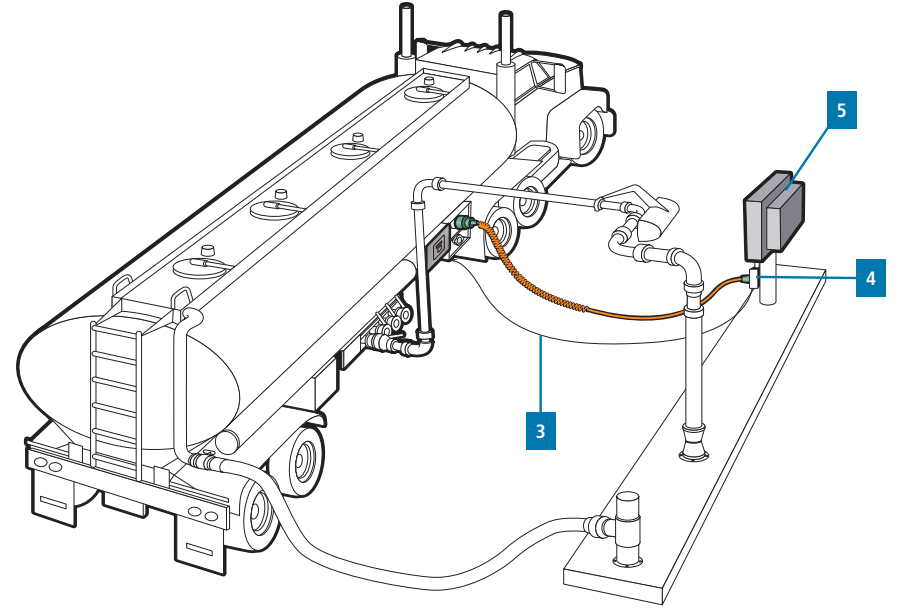


7620-7620

7620-COIL

7690-7690

7690-COIL



Products	Product #	Description
3 GROUNDING CABLES & CLAMP*	7720-7720	Ground Verification Clamp with 40' straight cord
	7720-COIL	Ground Verification Clamp with 30' coiled cord
	7790-7790	Ground Verification Clamp with 40' straight cord and 7500-7500 Junction Box
	7790-COIL	Ground Verification Clamp with 30' coiled cord and 7500-7500 Junction Box
	7620-7620	Ground Verification Plug & Cord Set for dual ball application with 30' straight cord
	7620-COIL	Ground Verification Plug & Cord Set for dual ball application with 30' coiled cord
	7690-7690	Ground Verification Plug & Cord Set for dual ball application with 30' straight cord and 7500-7500 Junction Box
	7690-COIL	Ground Verification Plug & Cord Set for dual ball application with 30' coiled cord and 7500-7500 Junction Box

\*For use with 8130-XXX Monitors

## Junction Boxes & Accessories (Option) for Top and Bottom-Loading Systems (Typical Western US & Western Canada)



Products	Product #	Description
4 JUNCTION BOX	7500-7500	Junction Box for Optic, Thermistor, and Ground Verification Plug and Cord Sets (Non-Breakaway)
	7540-7540	Junction Box with 7-pin socket for Cane Probes or Breakaway Optic Plug & Cord Set
	7560-7560	Junction Box with bypass connection for 8150 Optic Rack Monitor (Does not include BCU-2 Bypass Control Unit)
	7540-8X30	Junction Box with 7-pin socket for Breakaway Optic Plug and Cord Set. Includes bypass connection for 8130 Optic Rack Monitor (Does not include BCU-2)
5 OPTIONS	7510T-7150	Junction Box with 13-pin socket or breakaway Thermistor Plug and Cord Set
	7350-7350	Optic Plug Hanger
	7150-7150	Optic Plug Hanger
	BCU-2	Bypass Control Unit for 8150 Optic Rack Monitor (7560-7560 or 7540-8x30 Junction Box required)
	1386-1386	Opti/Therm Rack Monitor Tester

## Ground-Verification Only



8030-120 or 8030-240



7720-7720



7720-COIL



7790-7790



7790-COIL



7620-7620



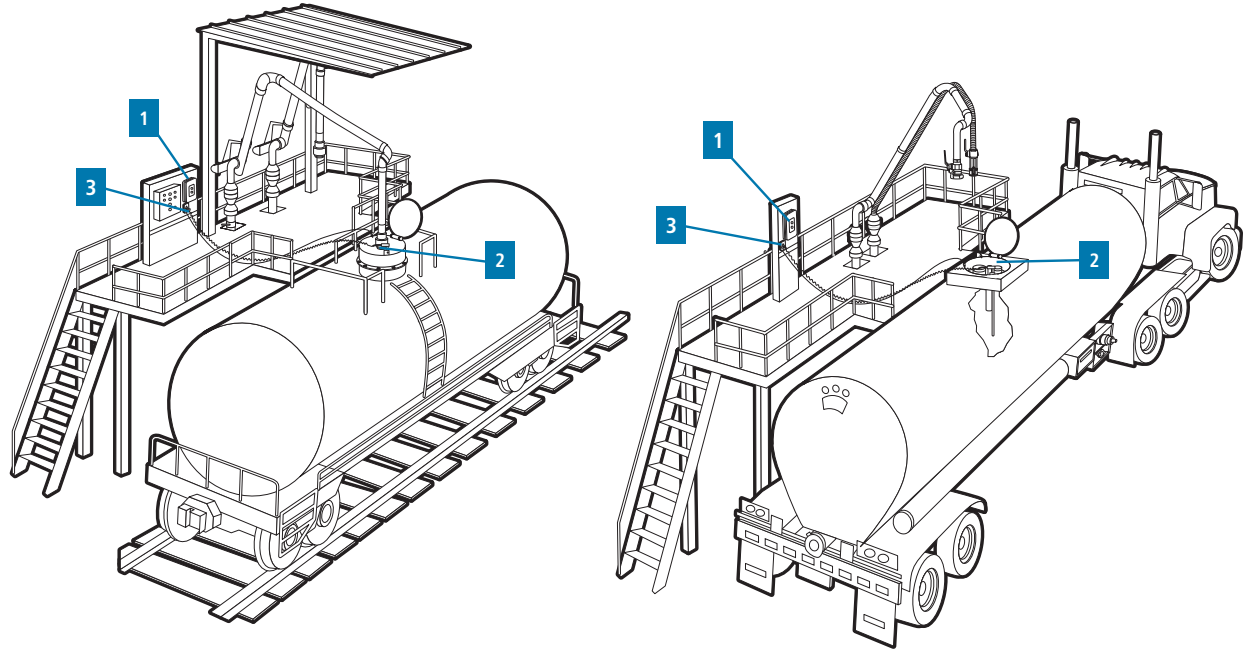
7620-COIL



7690-7690



7690-COIL



Products	Product #	Description	
1	<b>GROUNDING MONITOR</b>	8030-120 or 8030-240	Ground Monitor, with Red/Green Status Lights Available in 120 or 240 Volt
		7720-7720	Ground Verification Clamp with 40' straight cord
2	<b>GROUNDING CABLE &amp; CLAMPS</b>	7720-COIL	Ground Verification Clamp with 30' coiled cord
		7790-7790	Ground Verification Clamp with 40' straight cord and 7500-7500 Junction Box
		7790-COIL	Ground Verification Clamp with 30' coiled cord and 7500-7500 Junction Box
		7620-7620	Ground Verification Plug & Cord Set for dual ball application with 30' straight cord
		7620-COIL	Ground Verification Plug & Cord Set for dual ball application with 30' coiled cord
		7690-7690	Ground Verification Plug & Cord Set for dual ball application with 30' straight cord and 7500-7500 Junction Box
		7690-COIL	Ground Verification Plug & Cord Set for dual ball application with 30' coiled cord and 7500-7500 Junction Box