



# model 7610

## AXION® MSR Sink Mount Eye/Face Wash

### FEATURES & BENEFITS

#### ACCESSIBLE

Designed to be accessible to the disabled, when unit is properly located on an ADA accessible countertop or sink.

#### VALVE

Units pull-down to activate design produces a full continuous flow of water and provides an easy start to the irrigation process.

#### SAFETY

8" x 10-3/4" (20.3 x 27.3 cm) universal emergency sign make the unit easily detected in an emergency. Test card to record weekly checks helps maintain the units best working quality.

#### MOUNTING

Unit mounts at the back of sink, or on a wall so when the unit is not in use, it is as far out of the way as possible.

#### EYE/FACE WASH

AXION® MSR eye/face wash head uses an inverted directional laminar flow to sweep contaminants away from the vulnerable nasal cavity.



### OPTIONS

Valve Repair Kit: Model VRK7650 valve repair kit.

Thermostatic Mixing Valve: Model 9201EW AXION® Emergency Tempering Valve thermostatically mixes hot and cold water to provide a safe fluid supply for a single emergency eye/face wash, with a flow rate of 10 gpm (38.8 L).

Emergency Alarm System : Model 9001.5, 1/2" 120 VAC emergency alarm and light system. Buzzer and flashing light are activated by a 1/2" IPS double pole, double throw flow switch.

Thermostatic Mixing Valve: Model 9201EFE AXION® Emergency Tempering Valve thermostatically mixes hot and cold water to provide a safe fluid supply for a single emergency eye/face wash, with a flow rate of 12 gpm (38.8 L).

For more information, visit [www.hawso.com](http://www.hawso.com) or call (888) 640-4297.

### SPECIFICATIONS

Model 7610 barrier-free sink/counter top or wall mount eye/face wash with AXION MSR eye/face wash head with inverted directional laminar flow for Zero Vertical Velocity™ supplied by an integral 4.2 gpm flow control. For sinks this model will not fit over, the 13 inch drop-down length of the Haws model 7610S fits nicely into most standard sinks. Also included; polished chrome brass single action pull-down valve body, wheelchair accessibility, universal sign, and 1/2" O.D. (1.3 cm) slip joint inlet.

### APPLICATIONS

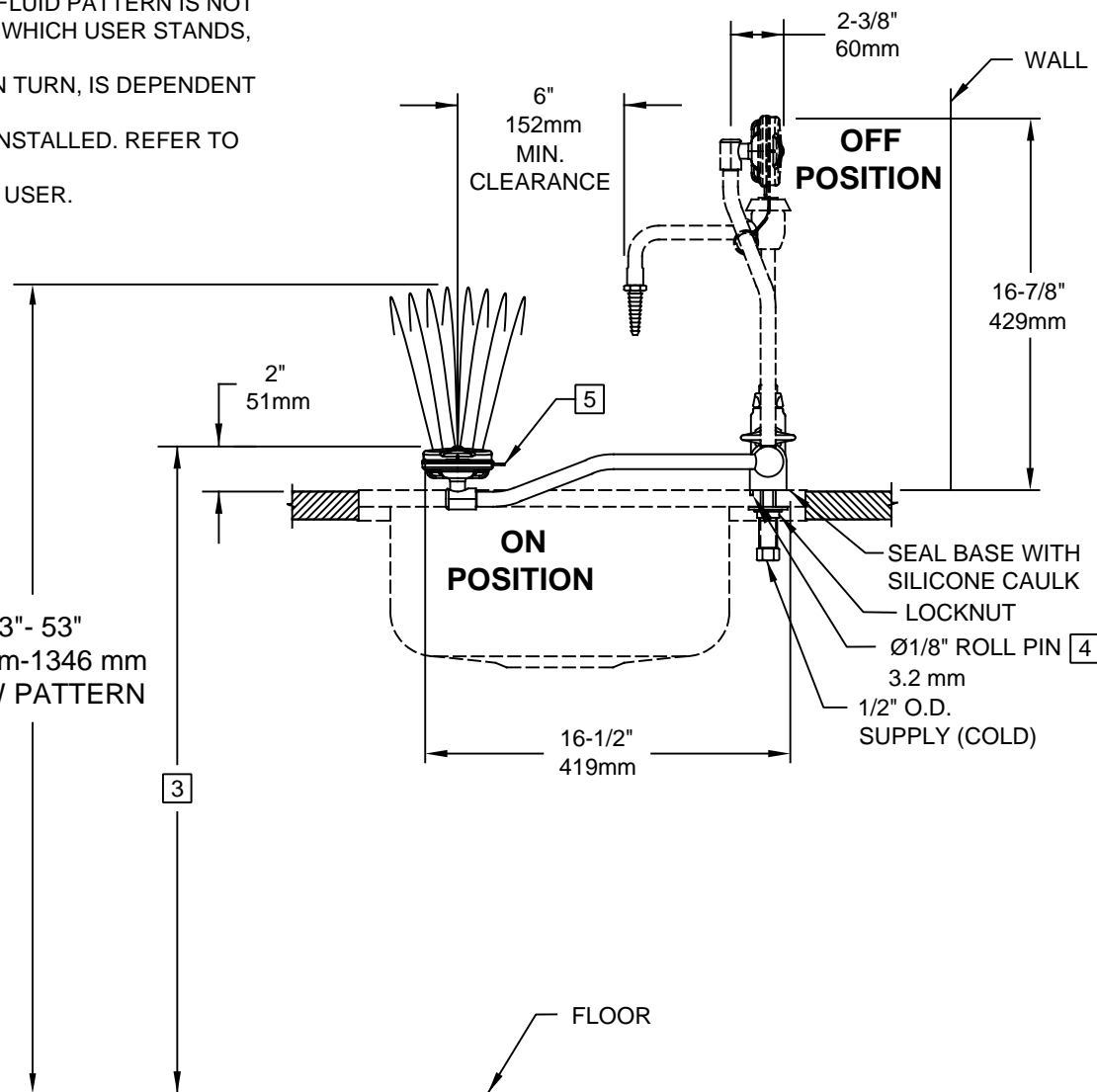
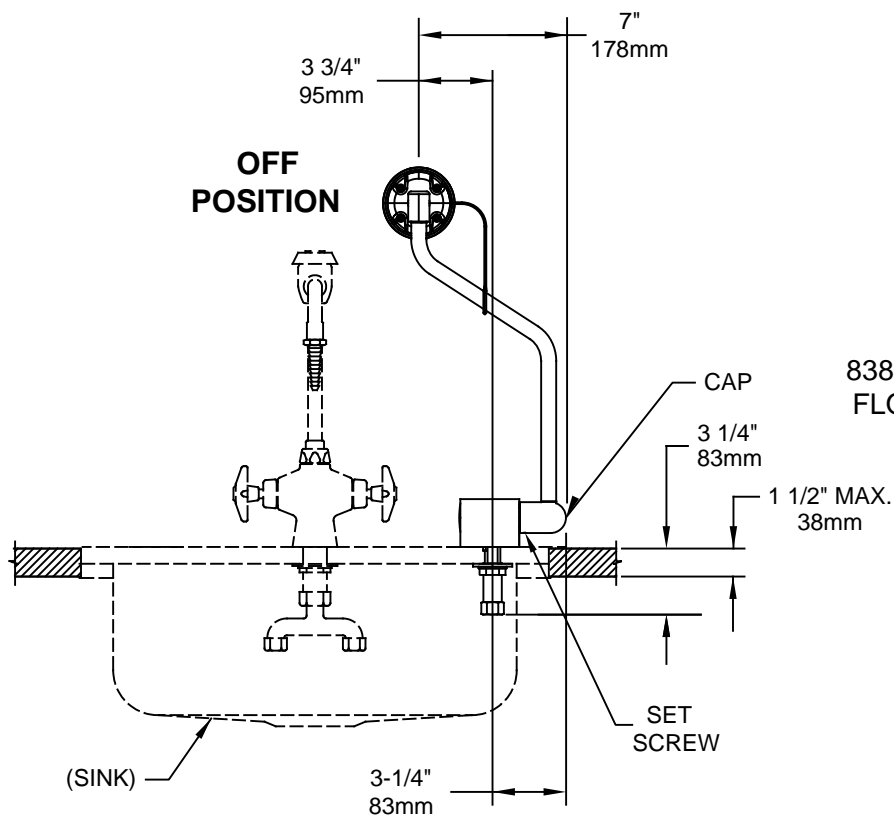
Where safety is of the utmost importance and the eyes of any person may be exposed to injurious or corrosive materials, suitable facilities for quick flushing and cleansing of the eyes must be provided within the work area for immediate emergency use. When installed properly, the stable construction, counter top design of the 7610 is space efficient with its rear mounting location and can accommodate barrier-free access. Model is certified by CSA to meet the ANSI Z358.1 Standard for Emergency Eyewash and Shower Equipment.

The 7610 is designed to be accessible to the disabled when properly located on an ADA accessible sink/countertop that is 34" or less AFF. Locate the mounting hole so that the upright arm of the eyewash is within 20" to 25" from the front edge of the counter to comply with ADA specified minimum floor space, and knee and toe clearance as required.



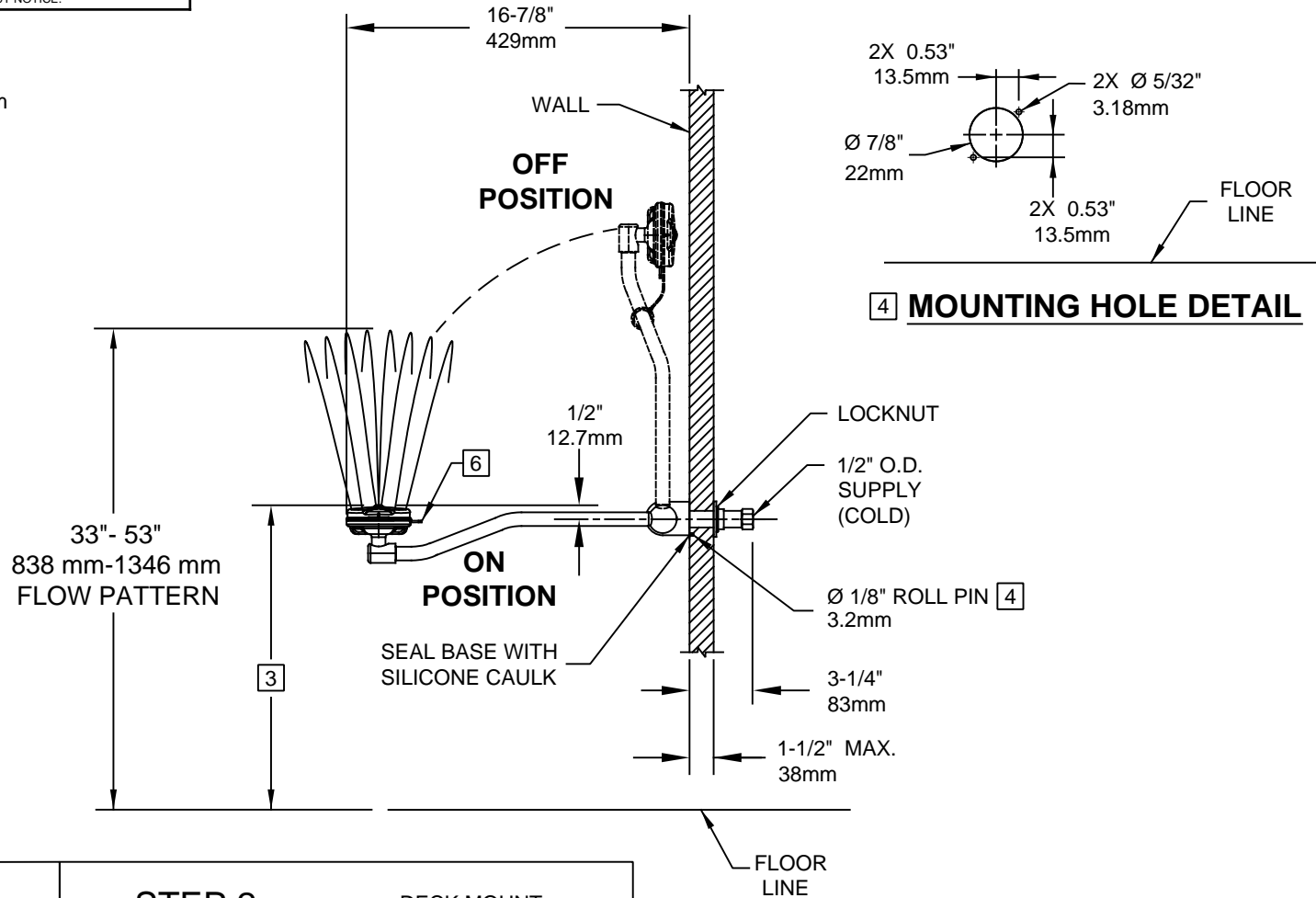
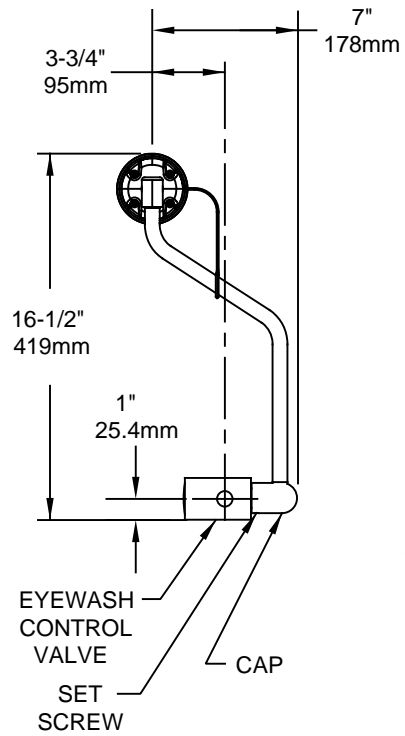
NOTES:

1. WHEN INSTALLING THIS UNIT, LOCAL, STATE, OR FEDERAL CODES SHOULD BE ADHERED TO FOR INSTALLATION DIMENSIONS (LOCATIONS), WASTE AND SUPPLY REQUIREMENTS OTHER THAN SHOWN.
2. TO COMPLY WITH ANSI Z358.1-2014 FOR EMERGENCY EYEWASH OR EYE/FACE WASH: EYEWASH OR EYE/FACE WASH SHALL BE POSITIONED SUCH THAT FLUSHING FLUID PATTERN IS NOT LESS THAN 33" (838mm), NO GREATER THAN 53" (1346mm) FROM SURFACE ON WHICH USER STANDS, AND 6.0" (153mm) MINIMUM FROM WALL OR NEAREST OBSTRUCTION.
3. HEIGHT IS DETERMINED BY WATER FLOW PATTERN HEIGHT SHOWN, WHICH IN TURN, IS DEPENDENT ON IN-LINE SUPPLY PRESSURE.
4. DRILL ONE Ø7/8" [22mm] HOLE AND TWO Ø5/32" HOLES WHERE UNIT IS TO BE INSTALLED. REFER TO MOUNTING HOLE DETAIL ON SHEET 2 OF 3 OR 3 OF 3.
5. ASSEMBLE EYE/FACE WASH TO ARM; ORIENT TAB ON ASSEMBLY AWAY FROM USER.
6. DIMENSIONS MAY VARY BY ±1/2" (13 mm).

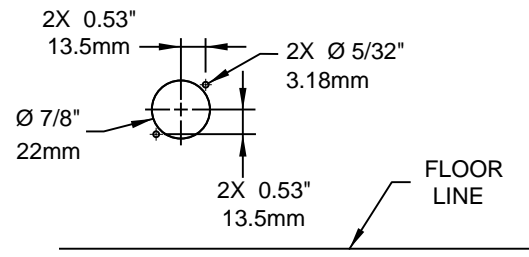


**7610 DECK MOUNTED CONFIGURATION**  
 (SEE SHEET 3 FOR 7610 DECK MOUNTED DETAIL)  
 (SEE SHEET 2 FOR 7610 WALL MOUNTED CONFIGURATION)

		1455 KLEPPE LANE SPARKS, NEVADA 89431 (775) 359-4712 FAX (775) 359-7424 E-MAIL: HAWS@HAWS.CO.COM WEBSITE: WWW.HAWS.CO.COM	
		ECN NO. 2066 DRAWN: JF APPROVED: MJ	REVISED PER: ECN: 5342 DATE: 10/96 DATE: 09/12/18
PART NUMBER 0002080067.D		REVISION 19	
SCALE: 1:1		DRAWING TYPE: INSTALLATION	
SIZE: A		SHEET 1 OF 3	

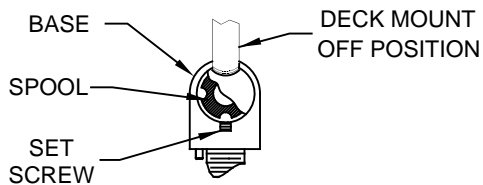


**4 MOUNTING HOLE DETAIL**



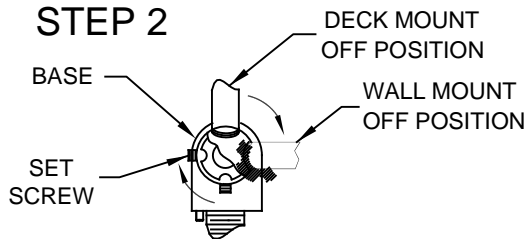
**CONVERT TO WALL MOUNT CONFIGURATION**

**STEP 1**



UNIT IS SHIPPED IN DECK MOUNT CONFIGURATION. TO CONVERT TO WALL MOUNT CONFIGURATION, POSITION ARM IN "DECK MOUNT OFF POSITION" AS ABOVE.

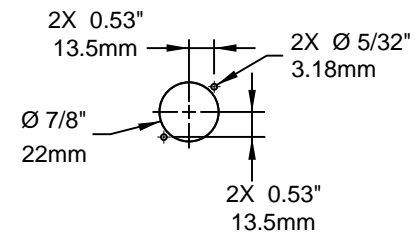
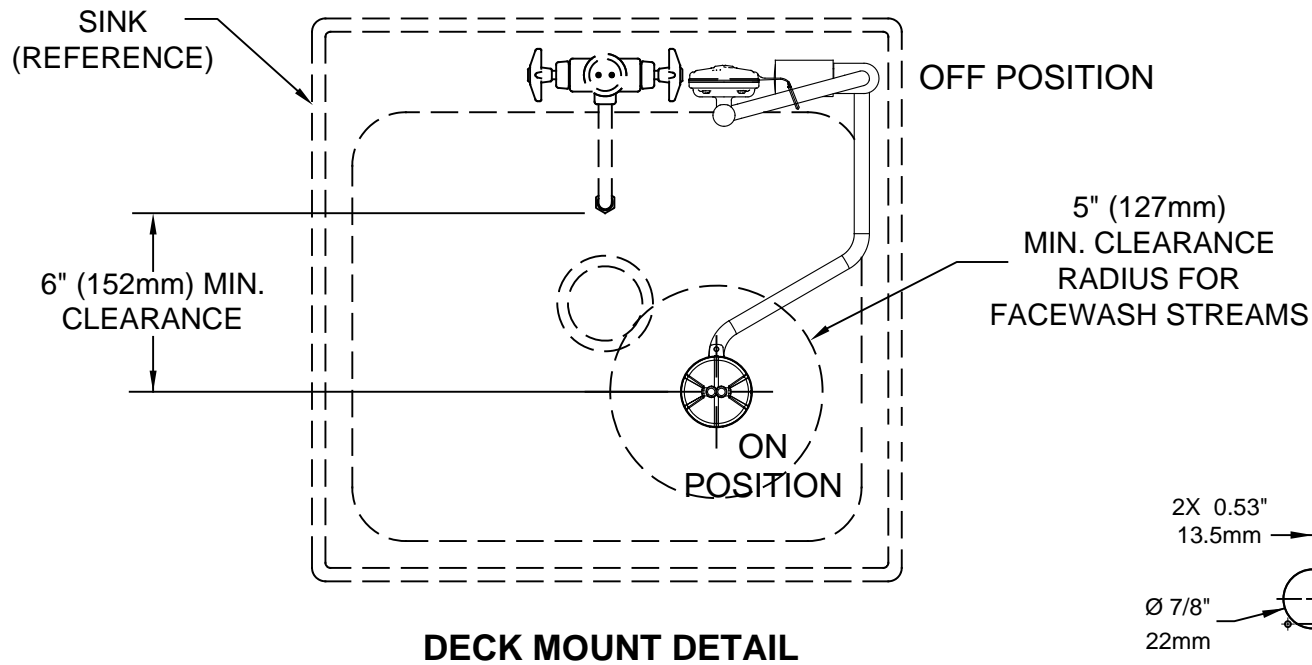
**STEP 2**



NOTE DEPTH OF SET SCREW PRIOR TO LOOSENING. LOOSEN SET SCREW AND ROTATE EYEWASH ARM 90° CLOCKWISE (AS SHOWN) WHILE MAKING SURE TO NOT ROTATE THE SPOOL. RE-TIGHTEN SET SCREW IN NEW POSITION. ENSURE SET SCREW IS PROPERLY SEATED IN INDENT. ENSURE SET SCREW IS TIGHT AND AT IT'S ORIGINAL DEPTH. ENSURE CORRECT ARM ORIENTATION BEFORE MOUNTING TO WALL. REFERENCE DRAWINGS AT RIGHT.

**7610 WALL MOUNTED CONFIGURATION**  
(SEE SHEET 1 FOR 7610 DECK MOUNTED CONFIGURATION)  
(SEE SHEET 3 FOR 7610 DECK MOUNTED DETAIL)

		1455 KLEPPE LANE SPARKS, NEVADA 89431 (775) 359-4712 FAX (775) 359-7424 E-MAIL: HAWS@HAWS.CO.COM WEBSITE: WWW.HAWS.CO.COM	
ECN NO. 2066 DRAWN: JF APPROVED: MJ	REVISED PER: ECN: 5342 DATE: 10/96 DATE: 09/12/18	BY: JP CHK'D: FV DATE: 09/12/18	MODEL(S) 7610 PULLDOWN EYE/FACE WASH SCALE: 1:1 DRAWING TYPE: INSTALLATION
PART NUMBER 0002080067.D REVISION 19			SHEET 2 OF 3



**4 MOUNTING HOLE DETAIL**

**7610 DECK MOUNTED CONFIGURATION**  
 (SEE SHEET 1 FOR 7610 DECK MOUNTED CONFIGURATION)  
 (SEE SHEET 2 FOR 7610 WALL MOUNTED CONFIGURATION)

		1455 KLEPPE LANE SPARKS, NEVADA 89431 (775) 359-4712 FAX (775) 359-7424 E-MAIL: HAWS@HAWSO.COM WEBSITE: WWW.HAWSO.COM	
		ECN NO. 5113 DRAWN: CC APPROVED: MJ	REVISED PER: ECN: 5342 DATE: 07/07/16 DATE: 09/12/18
PART NUMBER 0002080067.D			REVISION 19
SCALE: 1:1		DRAWING TYPE: INSTALLATION	SIZE: A
SHEET 3 OF 3			