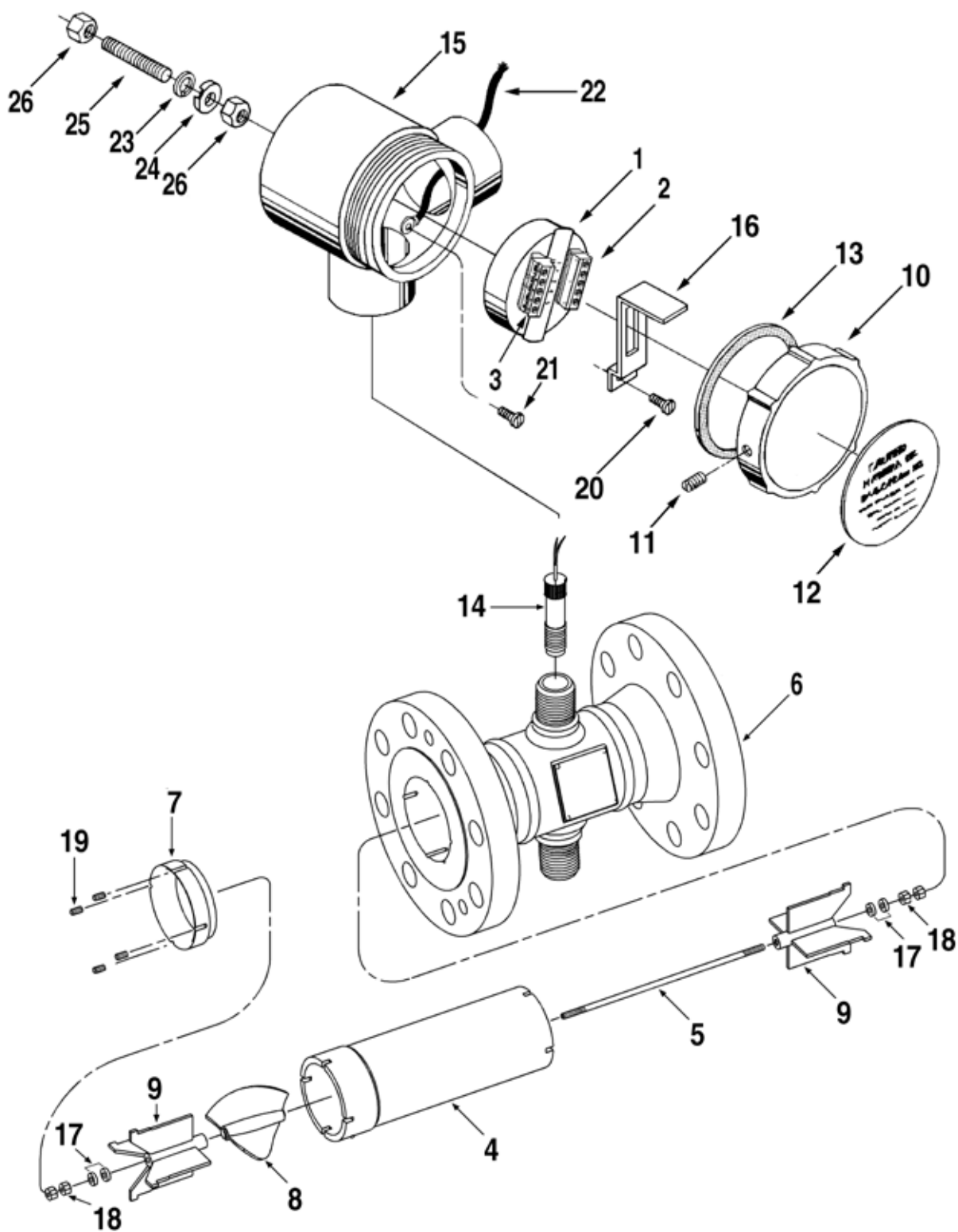


# Meter, Turbine, 3 Inch, Multi-Viscosity

Bulletin P002022 Issue/Rev. 0.1 (10/15)

**FMC**Technologies

We put you first.  
And keep you ahead.



Item		Description	Quantity	Part Number
1	+	Preamplifier, PA-6, 12 to 24 VDC	#	230663-101
2		Connector, (1-5)	#	645030-452
3		Connector, (6-10)	#	645030-453
4		Tube, Measuring	1	544905-110
5		Shaft, Stator	1	544909-210
6		Housing	1	See Note 1
7		Retaining Ring	1	See Note 2
8		Rotor Assembly	2	See Note 3
9		Stator	1	544919-111
10		Cover, Conduit Box:		
		UL/CSA	#	543196-100
		ATEX – Manufactured in U.S.A	#	544057-101
		ATEX – Manufactured in Germany	#	544057-102
11		Screw, Set, #6-32 X 1/4"	#	643243-403
12		Label:	#	
		UL/CSA Approvals	#	543195-200
		ATEX – Manufactured in U.S.A	#	544056-201
		ATEX – Manufactured in Germany	#	544056-202
13		Gasket, Conduit box	#	013403-200
14	+	Pick-up Coil	#	646214-401
15		Box, Conduit	#	543256-200
16		Clip, Retaining	#	543192-203
17		Washer Set	2	646221-401
18		Nut	4	640704-001
19		Screw	4	643731-401

Item	Description	Quantity	Part Number
20	Screw, #10-32 X 1/4"	#	009544-401
21	Screw, #10-32 X 1/4", UL/CSA Version only	#	006110-002
22	Wire, Ground, UL/CSA Version only	#	544058-101
23	Washer, Lock, 1/4", ATEX Version only	#	006621-001
24	Washer, Inverted, ATEX Version only	#	550770-001
25	Stud, ATEX Version only	#	550773-001
26	Nut, Hex, 1/4"-20, UNC-2B, ATEX Version only	#	060060-001
	Internal Parts Kit with Titanium Rotor		See Note 3
	Pick-up Coil Kit – UL/CSA		543852-140
	Pick-up Coil Kit – ATEX Manufactured in U.S.A.		543852-150
	+ Recommended stock.		
	# As required.		
Note 1	Consult Factory, (814) 898 5000, providing Model and Serial Numbers and advising 1. Housing Material 2. Flange Material 3. Flange Class (Pressure)		
Note 2	Cannot be ordered as a spare part. Can only be ordered with a new housing.		
Note 3	Consult Facotry, (814) 898 5000, providing Model and Serial Numbers and advising: 1. Rotor Material 2. Application Data (Fluid Type, Viscosity Range, Temperature Range and Flow Rates)		



**We put you first.  
And keep you ahead.**

**Revisions included in P002022 Issue/Rev. 0.1 (10/15):**

A change was made to 7, 8, 9 of the drawing; Item number 7, 8, 9 were changed; Addition of Note 2.

The specifications contained herein are subject to change without notice and any user of said specifications should verify from the manufacturer that the specifications are currently in effect. Otherwise, the manufacturer assumes no responsibility for the use of specifications which may have been changed and are no longer in effect.

Contact information is subject to change. For the most current contact information, visit our website at [www.fmctechnologies.com/measurementsolutions](http://www.fmctechnologies.com/measurementsolutions) and click on the "Contact Us" link in the left-hand column.