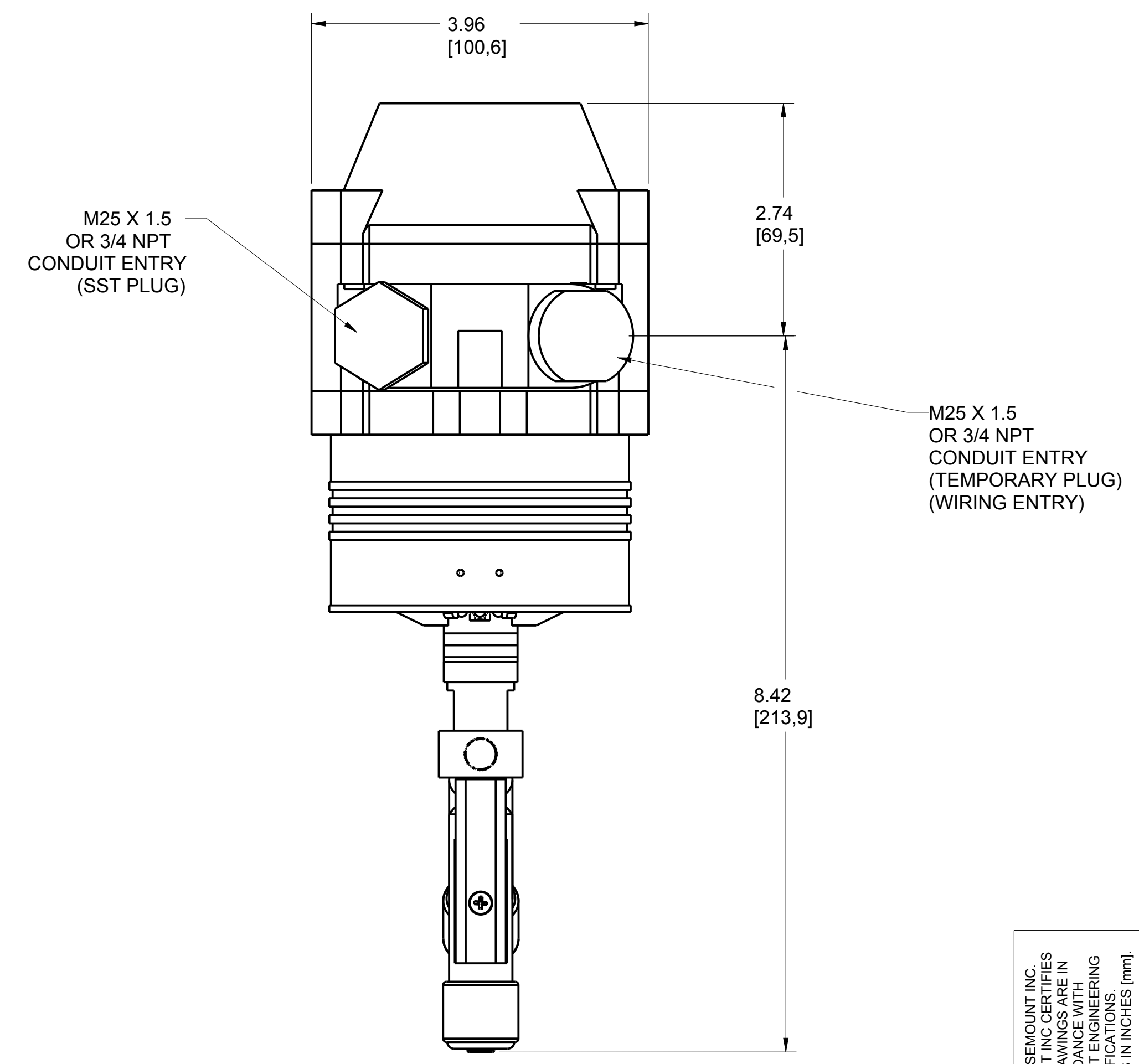
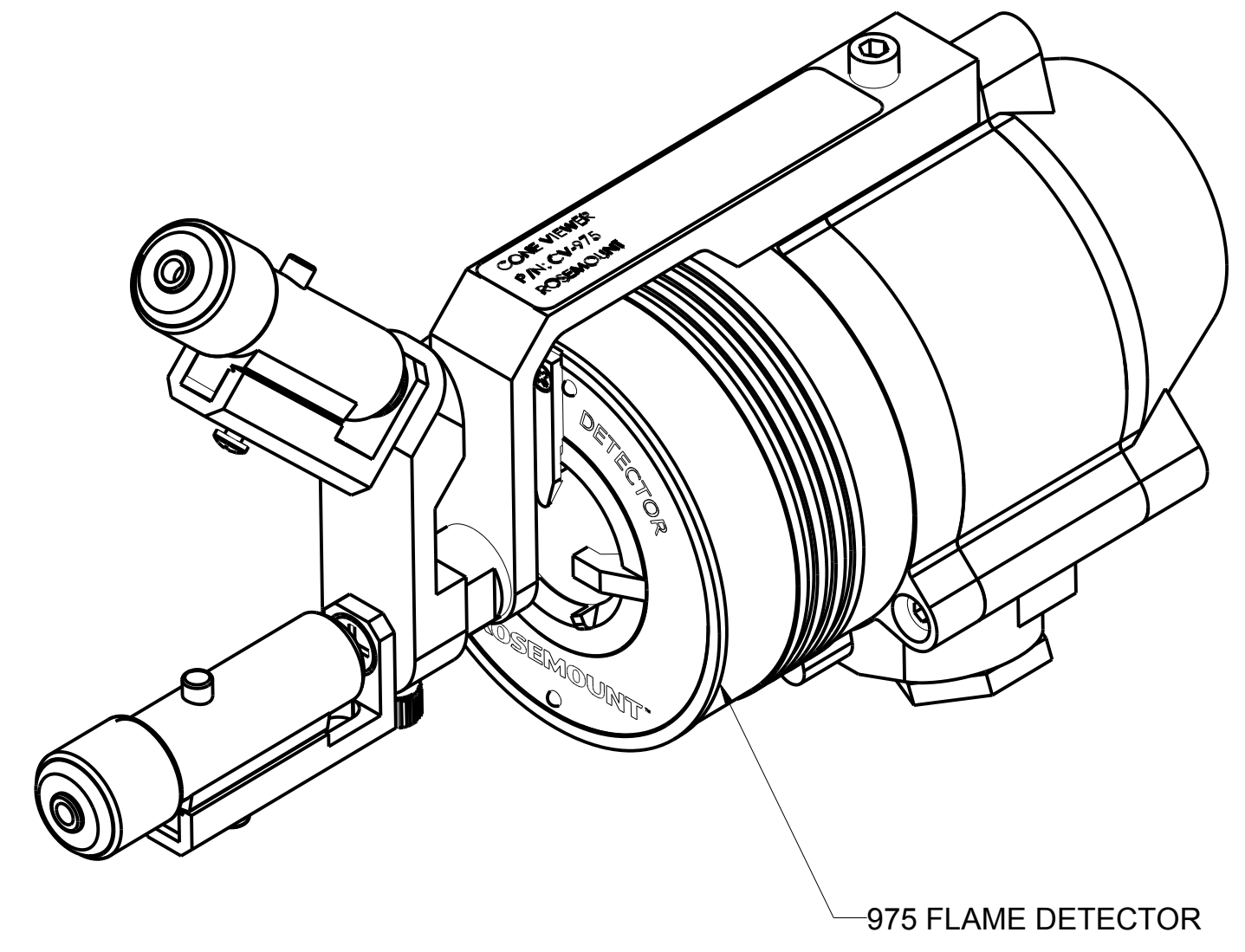
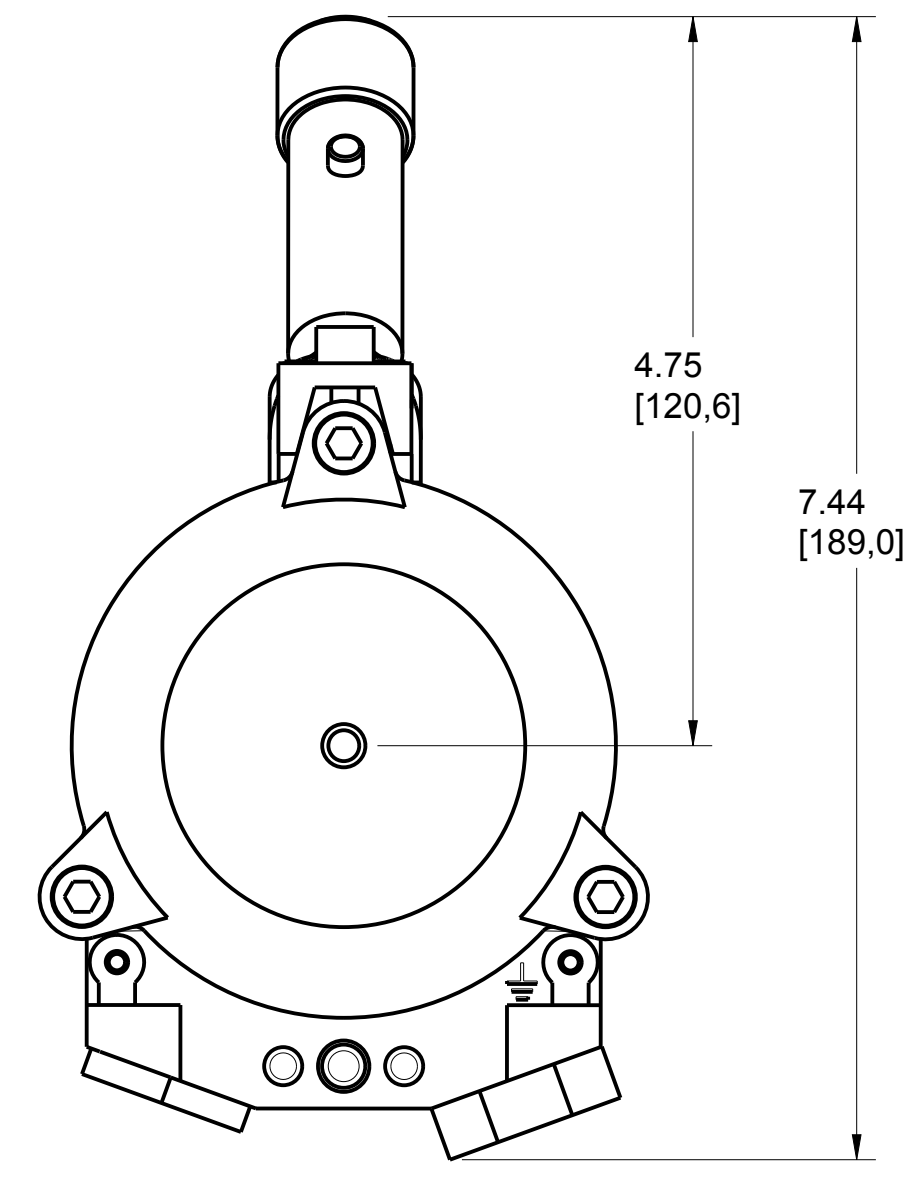
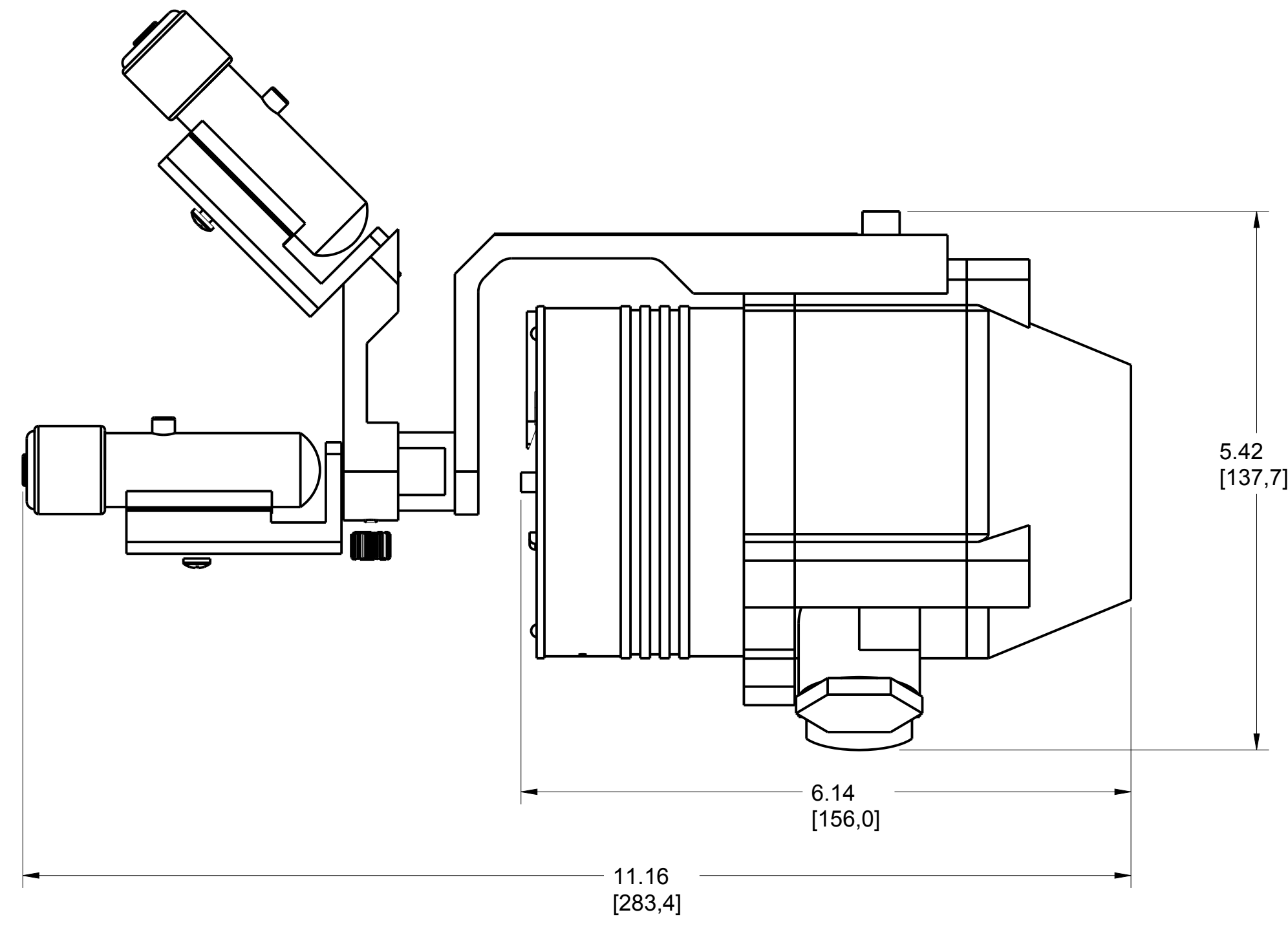


MODEL 975 FLAME DETECTOR WITH CONE VIEWER

REVISION TABLE			
REVISION	ECO NO.	APP'D	DATE
AA	RTCXXXXX	M. NYLAND	12/8/16
DESCRIPTION			
NEW RELEASE			



©2015 ROSEMOUNT INC.
ROSEMOUNT INC. CERTIFIES
THIS DRAWING IS MADE IN
ACCORDANCE WITH
ROSEMOUNT ENGINEERING
SPECIFICATIONS.
UNIT NOTES IN INCHES (mm).
REFERENCE ROSEMOUNT
PRODUCT SPECIFICATIONS.
CLICK HERE

3RD ANGLE

EMERSON

ROSEMOUNT 975 & CONE VIEWER
TYPE I DRAWING

DR. J. ARMSTRONG	10/21/16	DRAWING NO.	00975-7003
APP'D M. NYLAND	10/21/16		

CAD MAINTAINED, (PROE) SHEET 1 OF 1