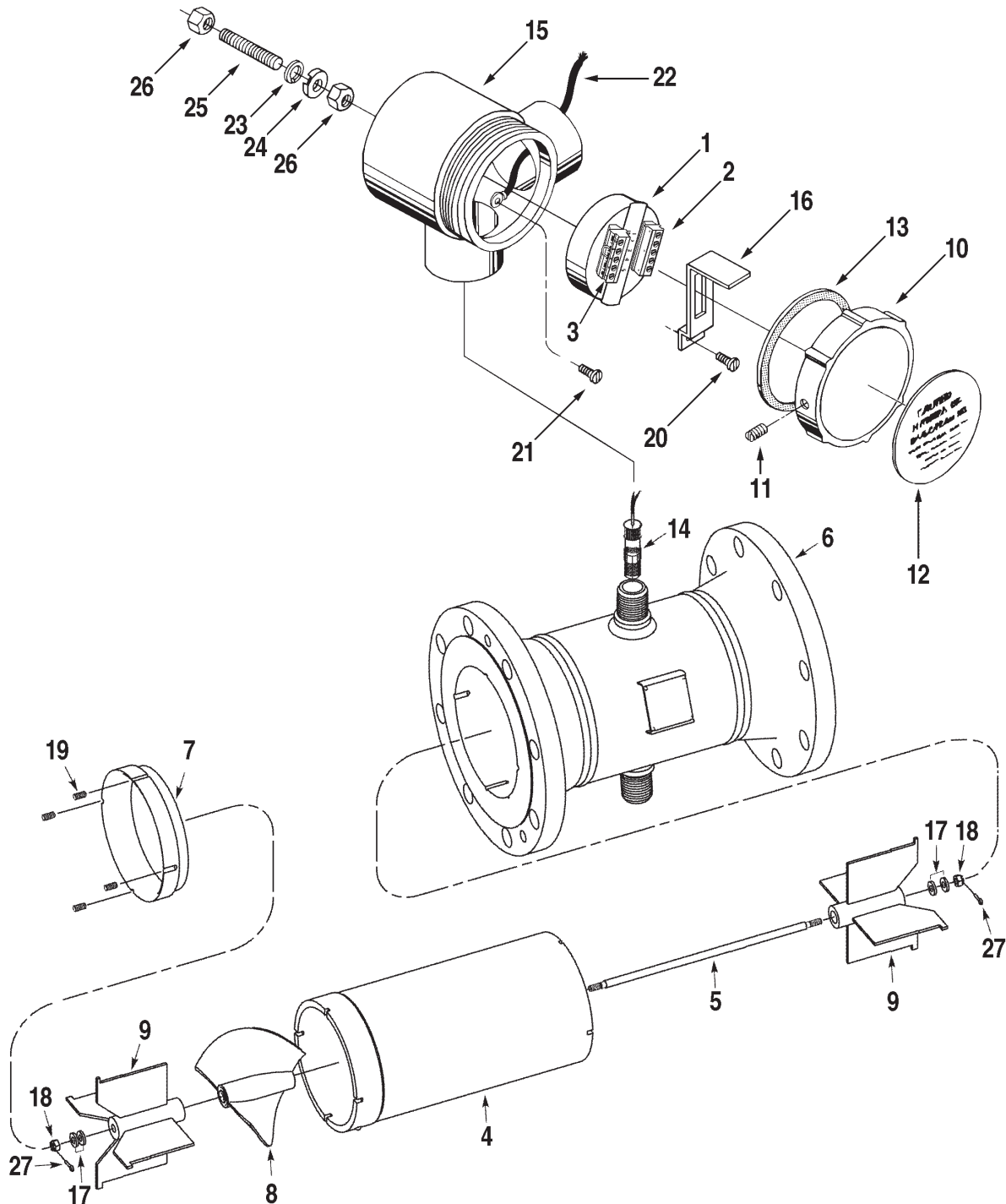


Meter, Turbine, 8 Inch Multi-Viscosity

Bulletin PO02025 Issue/Rev. 0.1 (5/17)



1	+	Preamplifier, PA-6, 12 to 24 Vdc.....	#	230663-101
2		Connector, (1-5).....	#	645030-452
3		Connector, (6-10).....	#	645030-453
4		Tube, Measuring.....	1	544905-140
5		Shaft, Stator.....	1	544909-240
6		Housing.....	1	See Note 1
7		Retaining Ring.....	1	See Note 2
8		Rotor Assembly.....	1	See Note 3
9		Stator.....	2	544919-140
10		Cover, Conduit Box:		
		UL/CSA.....	#	543196-100
		ATEX – Manufactured in U.S.A.....	#	544057-101
		ATEX – Manufactured in Germany.....	#	544057-102
11		Screw, Set, #6-32 X 1/4".....	#	643243-403
12		Label		
		UL/CSA Approvals.....	#	543195-200
		ATEX – Manufactured in U.S.A.....	#	544056-201
		ATEX – Manufactured in Germany.....	#	544056-202
13		Gasket, Conduit box.....	#	013403-200
14	+	Pick-up Coil.....	#	646214-401
15		Box, Conduit.....	#	543256-200
16		Clip, Retaining.....	#	543192-203
17		Washer Set.....	2	646221-404
18		Castle Nut.....	2	643729-402
19		Screw.....	4	643731-406
20		Screw, #10-32 X 1/4".....	#	009544-401
21		Screw, #10-32 X 1/4", UL/CSA Version only.....	#	006110-002
22		Wire, Ground, UL/CSA version only.....	#	544058-101
23		Washer, Lock, 1/4", ATEX only.....	#	006621-001
24		Washer, Inverted, ATEX only.....	#	550770-001
25		Stud, ATEX only.....	#	550773-001
26		Nut, Hex, 1/4"-20, UNC-2B, ATEX only.....	#	060060-001
27		Pin, Cotter.....	2	003421-401
		Internal Parts Kit Aluminum Rotor.....		See Note 3
		Internal Parts Kit Titanium Rotor.....		See Note 3
		Pick-up Coil Kit – UL/CSA.....		543852-140
		Pick-up Coil Kit – ATEX – Manufactured in U.S.A.....		543852-150
		Pick-up Coil Kit – ATEX – Manufactured in Germany.....		543852-151

+ Recommended Stock

As Required

Note 1. Consult Factory, (814) 898-5000, providing Model and Serial Numbers and advising:

1. Housing Material
2. Flange Material
3. Flange Class (Pressure)

Note 2. Cannot be ordered as a spare part. Can only be ordered with a new housing.

Note 3. Consult Factory, (814) 898-5000, providing Model and Serial Numbers and advising:

1. Rotor Material
2. Application Data (Fluid Type, Viscosity Range, Temperature Range and Flow Rates)

The specifications contained herein are subject to change without notice and any user of said specifications should verify from the manufacturer that the specifications are currently in effect. Otherwise, the manufacturer assumes no responsibility for the use of specifications which may have been changed and are no longer in effect.

Contact information is subject to change. For the most current contact information, visit our website at TechnipFMC.com and click on the "Contact Us" link.